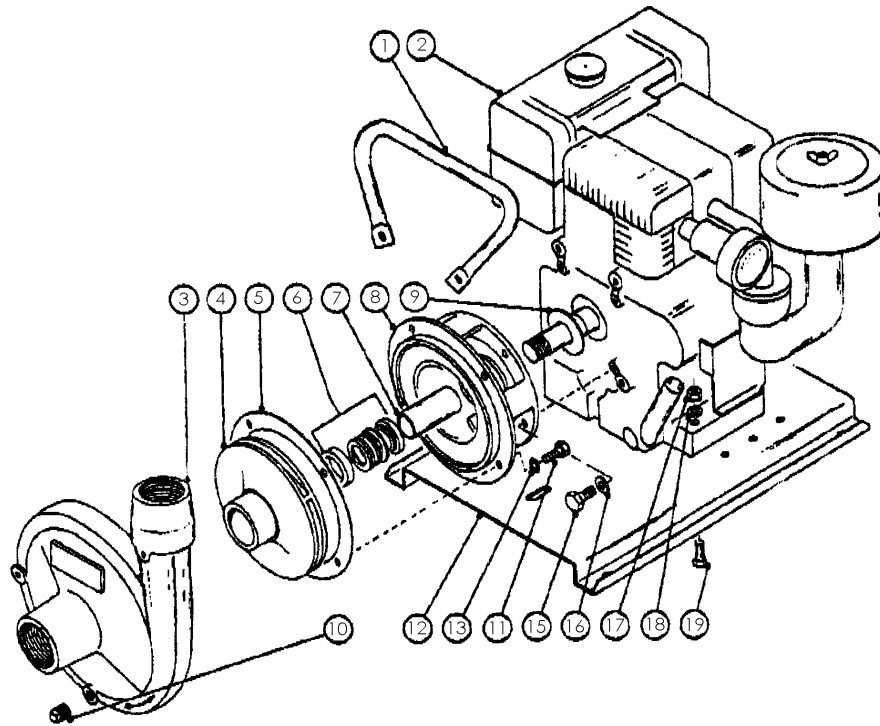


Monarch ACGF-5SDH End Suction Centrifugal pump

12/2002

Itemized Part Listing



		ACGF-5SDH	
POS	Item Description	Part #	Q
1	Handle	433186	1
2	Engine / Honda 5.5 hp	202001	1
3	Casing / Pump 2"x2"	437832	1
4	Impeller / 6.1" dia. 5/8" thread	433172	1
5	O-Ring *	198996	1
6	Seal / Mechanical 3/4" I.D. *	240344	1
7	Sleeve / 3/4" O.D. 1.6" long *	438380	1
8	Support / Pump	437794	1
9	Slinger *	191272	1
10	Plug / Drain 1/4" npt galv.	185620	2
11	Bolt / 3/8" x 1" UNC S.S.	125797	4
12	Baseplate	414141	1
13	Washer / Spring 3/8"	176230	1
15	Bolt / 5/16" x 3/4" UNF S.S.	225963	4
16	Washer / Seal TW 5/16"	199001	4
17	Nut 5/16" UNC	227820	4
18	Washer / Spring 5/16"	176220	4
19	Bolt / 5/16" x 1-1/2" UNC	226000	4

NOTE: See serial plate located on pump when ordering parts.

It is useful to keep a stock of fast wearing parts on hand for quick repairs. Most recommended spare parts are marked by an asterisk (*) following part description.

1-800-Team ABI

Email abigausa@att.net
www.abi-irrigation.com

acgf.pdf ABI 2002



AgriBusiness International, Inc
 P.O. Box 909
 Villa Rica, Georgia 30180 USA
 Ph. 770-459-4401 Fx. 770-459-6877