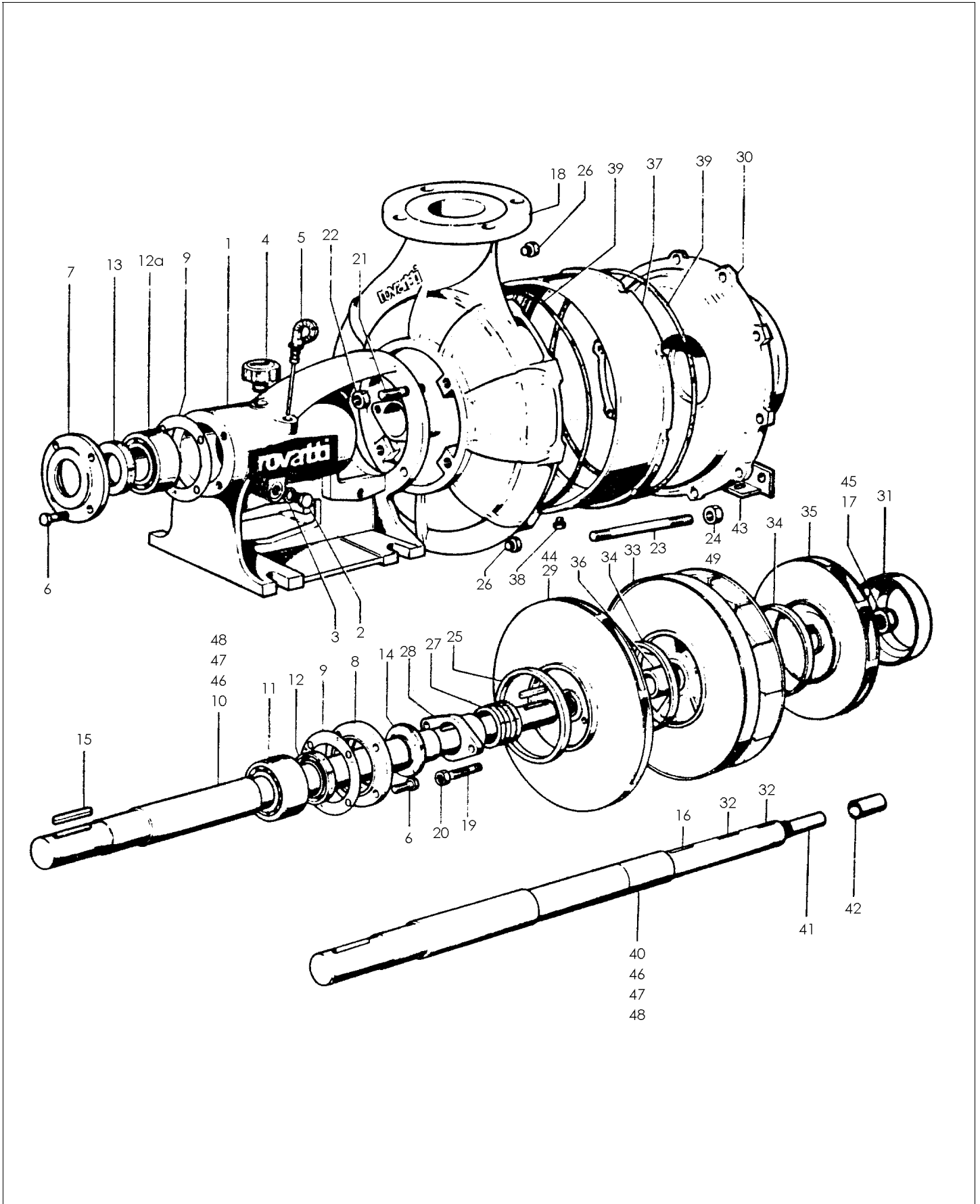


# Rovatti S2K Series Pump

Itemized Part Listing

12/2002



POS	Item Description	S2K65/2		S2K65/3		S2K80/2		S2K80/3	
		Part #	Q	Part #	Q	Part #	Q	Part #	Q
1	Support / Bearing	3331	1	3331	1	3331	1	3331	1
2	Plug / Magnetic	4470	1	4470	1	4470	1	4470	1
3	Plug / Magnetic	4470	1	4470	1	4470	1	4470	1
4	Plug / Breather	3370	1	3370	1	3370	1	3370	1
5	Dipstick / Oil Level	3325	1	3325	1	3325	1	3325	1
6	Bolt	VTCE120	6	VTCE120	6	VTCE120	6	VTCE120	6
7	Cover	3334	1	3334	1	3334	1	3334	1
8	Cover	3334	1	3334	1	3334	1	3334	1
9	Gasket *	3340	2	3340	2	3340	2	3340	2
10	Shaft	9532	1	9533	1	9532	1	9533	1
11	Bearing *	CU16	1	CU16	1	CU16	1	CU16	1
12	Seal / Oil *	AT5	1	AT5	1	AT5	1	AT5	1
12a	Bearing *	CU16	1	CU16	1	CU16	1	CU16	1
13	Seal / Oil *	AT5	1	AT5	1	AT5	1	AT5	1
14	Ring / Water Sealing *	AP3	1	AP3	1	AP3	1	AP3	1
15	Key	LI12a	1	LI12a	1	LI12a	1	LI12a	1
16	Key	LI12	1	LI12	1	LI12	1	LI12	1
17	Nut / Impeller	DA20b	1	DA20b	1	DA20b	1	DA20b	1
18	Body / Pump	3977	1	3977	1	3954	1	3954	1
19	Bolt / Stud	VP5	2	VP5	2	VP5	2	VP5	2
20	Nut	DEA10	2	DEA10	2	DEA10	2	DEA10	2
21	Bolt / Stud	VP16	4	VP16	4	VP16	4	VP16	4
22	Nut	DEA12	4	DEA12	4	DEA12	4	DEA12	4
23	Bolt / Stud	VP22	8	VP23	8	VP22	8	VP23	8
24	Nut	DEA12	8	DEA12	6	DEA12	8	DEA12	6
25	Ring / Wear *	3990	1	3990	1	3987	1	3987	1
26	Plug	NO19	2	NO19	2	NO19	2	NO19	2
27	Ring / Packing *	5640	6	5640	6	5640	6	5640	6
28	Flange / Packing	1007	1	1007	1	1007	1	1007	1
29	Impeller / pump Body	3979	1	3979	1	3951	1	3951	1
30	Cover / Suction	3978	1	****	**	3953	1	****	**
30	Cover / Suction w/support	****	**	3976	1	****	**	3953	1
31	Ring / Wear *	3990	1	3990	1	3987	1	3987	1
32	Key	LI11	1	LI11	2	LI11	1	LI11	2
33	Diffuser	3981	1	3981	2	3947	1	3947	2
34	Ring / Wear *	3990	2	3990	4	3987	2	3987	4
35	Impeller / Diffuser	3980	1	3980	2	3950	1	3950	2
36	Spacer	3986	1	3986	2	3986	1	3986	2
37	Shell / Diffuser	3952	1	3952	2	3952	1	3952	2
38	Plug	NO19	1	NO19	2	NO19	1	NO19	2
39	O-Ring *	2510	2	2510	3	2510	2	2510	3
40	Bushing *	9011	1	9011	1	9011	1	9011	1
41	Bushing *	****	**	9537	1	****	**	9537	1
42	Bushing *	****	**	1691	1	****	**	1691	1
43	Foot / Support	****	**	4013	1	****	**	4013	1
44	Washer	9538	1	9538	1	9538	1	9538	1
45	Washer	6715	1	6715	1	6715	1	6715	1
46	Bolt	****	**	****	**	****	**	****	**
47	Washer	****	**	****	**	****	**	****	**
48	Washer	****	**	****	**	****	**	****	**
49	Nut	****	**	DEM12	2	****	**	DEM12	2

*Place "RI" prefix before all part numbers before placing orders.*

It is useful to keep a stock of fast wearing parts on hand for quick repairs. Most recommended spare parts are marked by an asterisk (\*) following part description.

**1-800-Team ABI**

Email [abigausa@att.net](mailto:abigausa@att.net)  
[www.abi-irrigation.com](http://www.abi-irrigation.com)

s2k.pdf ABI 2002



**AgriBusiness International, Inc**  
P.O. Box 909  
Villa Rica, Georgia 30180 USA  
Ph. 770-459-4401 Fx. 770-459-6877