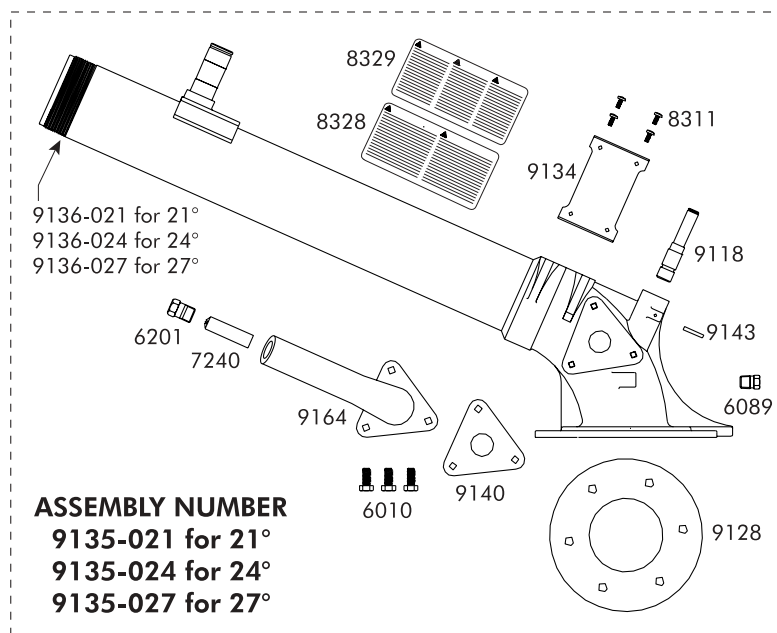
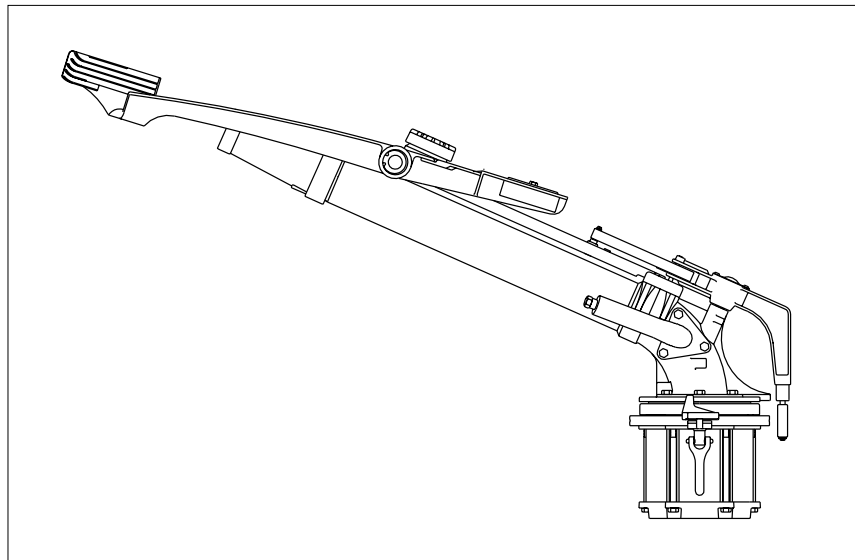


innovation in irrigation™

NELSON**SR200 BIG GUN®****SR200 BIG GUN® PARTS LIST****9135-XXX**

part number

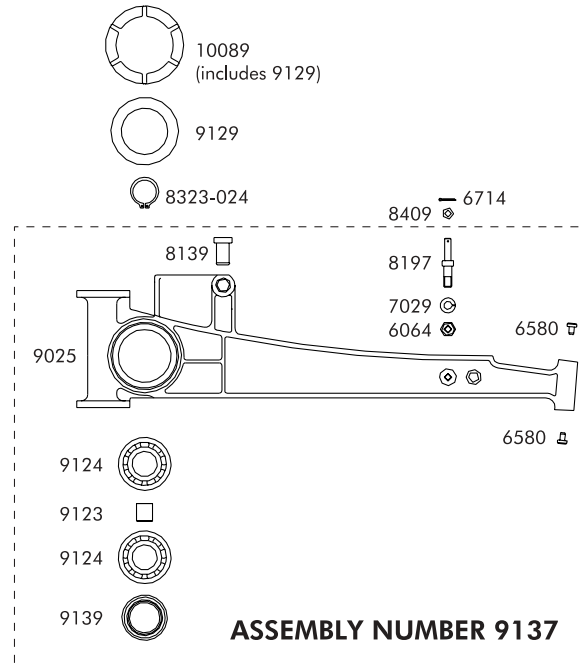
part number	description	qty.
6010	Screw, 5/16-18 x 3/4"	3
6089	Plug, 3RN	1
6201	Plug, 7RN	1
7240	7V Vane	1
8311	Screw, #8-32 x .375"	
	Self-Tapping Pan Head	4
8328	Label, Warning — English, Spanish	1
8329	Label, Warning — German, Swedish	1
9118	Shaft, Trip Lever — SR200	1
9128	Gasket, Elbow — SR200	1
9134	Stop Bracket — SR200	1
9140	Gasket, Secondary Elbow — SR200	1
9143	Pin, Type E Grooved, .125 x .875"	1
9164	Elbow, Secondary — SR200	1
9136-021	Tube & Elbow Assembly, 21° — SR200	1
9136-024	Tube & Elbow Assembly, 24° — SR200	1
9136-027	Tube & Elbow Assembly, 27° — SR200	1

BODY ASSEMBLIES, 21°/24°/27° SR200

9137

SHIFT LEVER ASSEMBLY, SR200

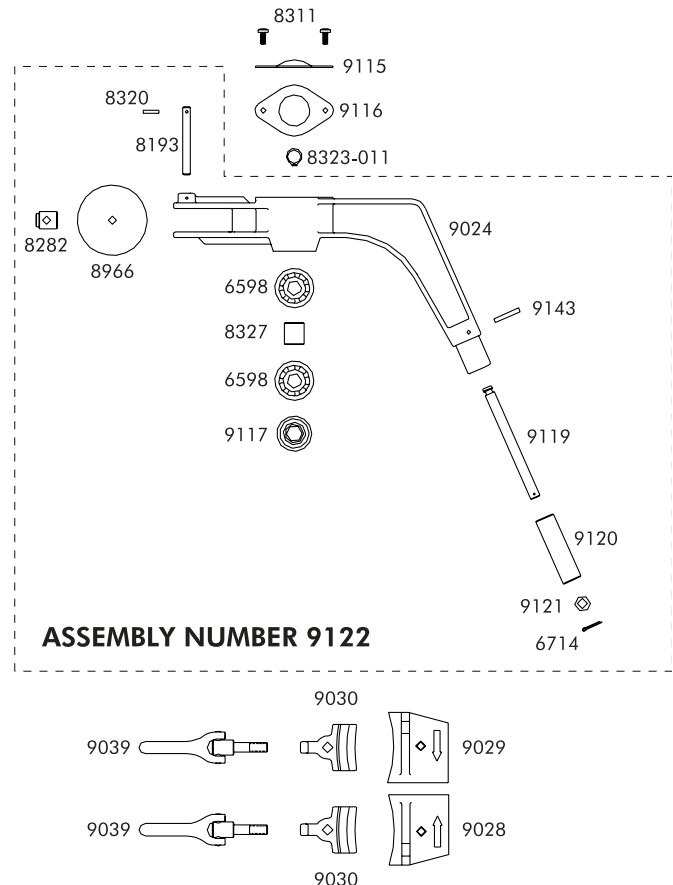
part number	description	qty.
6064	Nut, 5/16-18	1
6580	Insert, Rest Pad	2
7029	Washer, 5/16" Spring Lock	1
8139	Bumper	1
8197	Pin, Shift — SR100	1
9025	Lever, Shift — SR200	1
9123	Spacer, Shift Lever — SR200	1
9124	Bearing, Ball	2
9139	Seal, Shift Lever — SR200	1



9122

TRIP LEVER ASSEMBLY, SR200

part number	description	qty.
6598	Bearing, Ball	2
6714	Pin, Cotter, .062 x .50"	1
8193	Pin, Stop — SR100	1
8282	Follower, Trip Spring — SR100	1
8320	Pin, Coiled Spring, .094 x .50"	1
8327	Spacer, Trip Lever — SR200	1
8966	Washer, Trip Lever — SR150	1
9024	Lever, Trip — SR200	1
9117	Seal, Trip Lever — SR200	1
9119	Shaft, Roller — SR200	1
9120	Roller, Trip — SR200	1
9121	Washer, Roller — SR200	1
9143	Pin, Type E Grooved, .125 x .875"	1

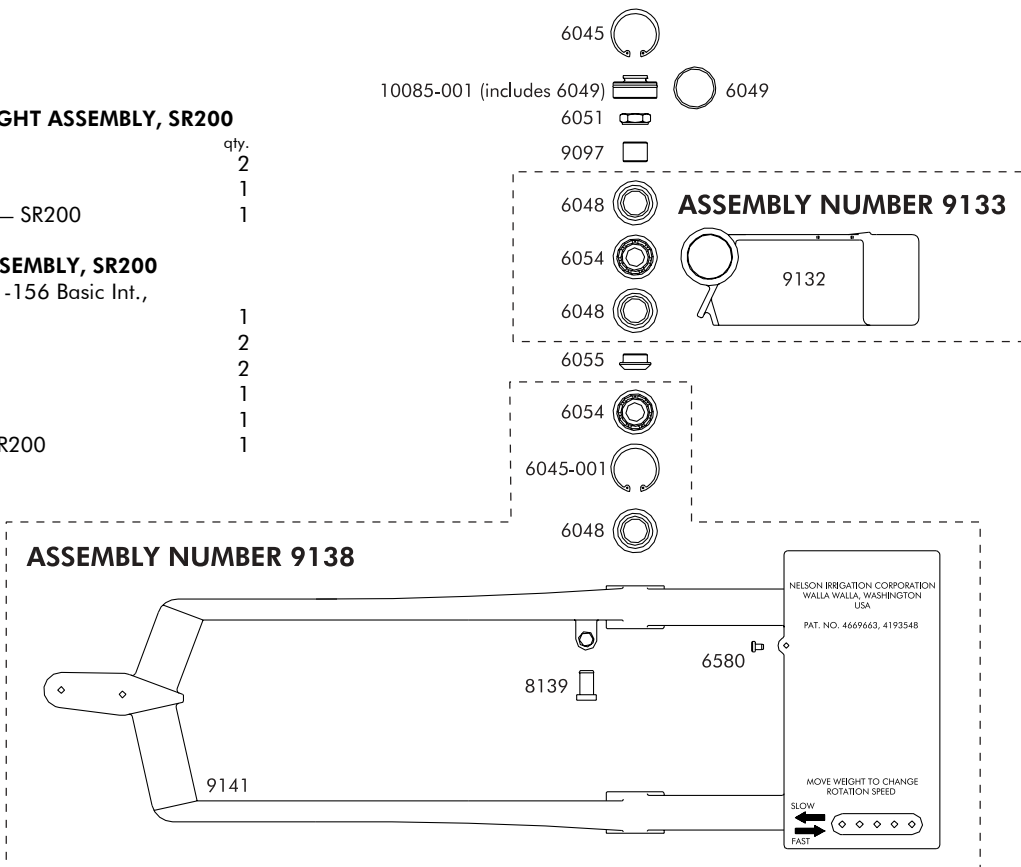
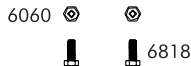
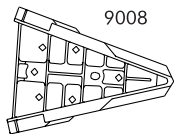


9133 COUNTERWEIGHT ASSEMBLY, SR200

part number	description	qty.
6048	Seal	2
6054	Bearing, Ball	1
9132	Counterweight — SR200	1

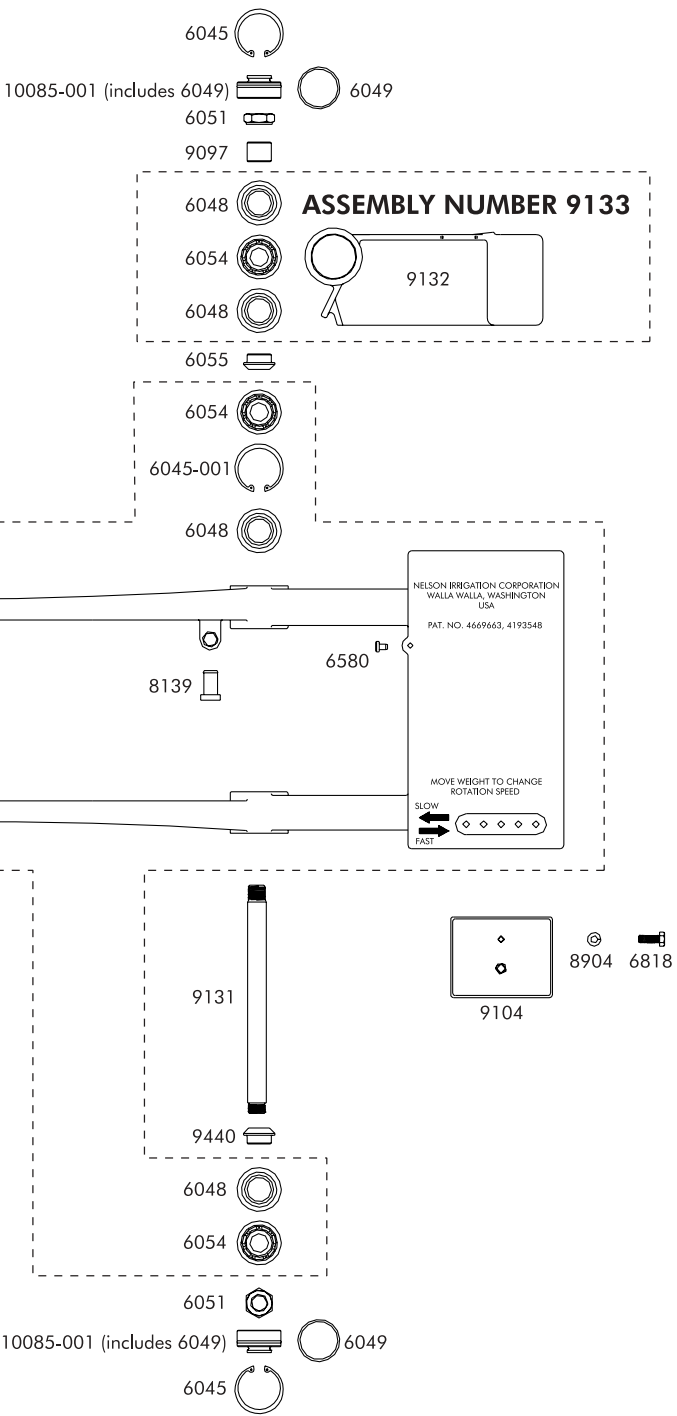
9138 DRIVE ARM ASSEMBLY, SR200

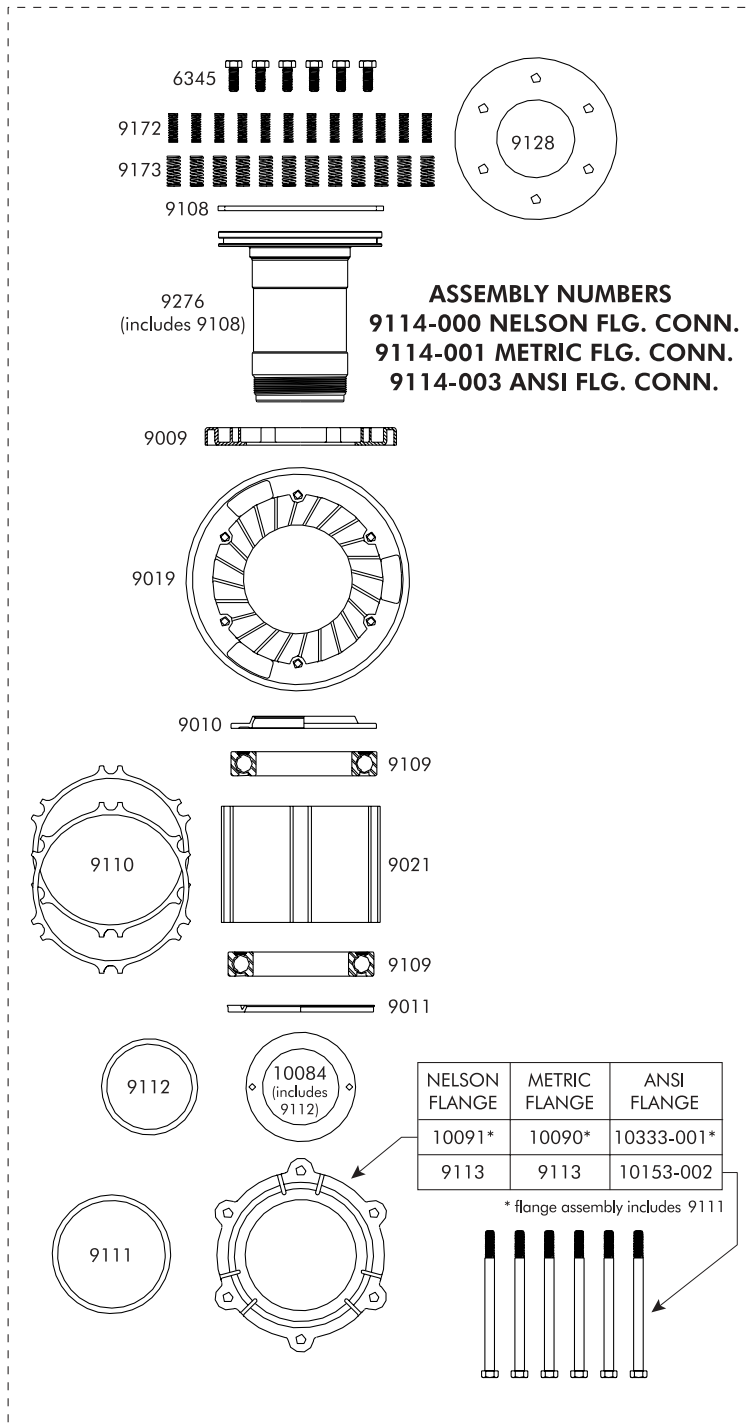
part number	description	qty.
6045-001	Ring, Retaining, -156 Basic Int., Phos. Coated	1
6048	Seal	2
6054	Bearing, Ball	2
6580	Insert, Rest Pad	1
8139	Bumper	1
9141	Arm, Drive — SR200	1



FINAL ASSEMBLY COMPONENTS, SR200

part number	description	qty.
6045	Ring, Retaining, -156 Basic Internal	2
6049	O-Ring, -028	2
6051	Nut, .625-18 Special	2
6055	Spacer — CWT to Brkt — F200	1
6060	Nut, .25-20	2
6714	Pin, Cotter, .062 x .50"	1
6818	Screw, .25-20 x .75" Hex Head Cap	3
8311	Screw, #8-32 x .375", Self-Tapping Pan Head	2
8323-011	Ring, Retaining, -46 Basic Ext, Phos. Coated	1
8323-024	Ring, Retaining, -98 Basic External	1
8409	Washer, Trip Roller — SR100	1
8417	Stop, Trip Spring — SR100	1
8904	Washer, .25" Spring Lock	1
9008	Vane, Drive — SR200	1
9028	Stop, Clockwise — SR200	1
9029	Stop, Counterclockwise — SR200	1
9030	Clamp — SR200	2
9039	Flex-Handle Assembly	2
9097	Spacer, Drive Arm to CWT — SR200	1
9104	Weight, Arm — SR200	1
9115	Cap, Trip Lever — SR200	1
9116	Gasket, Trip Lever Cap — SR200	1
9129	Gasket, Shift Lever Cap — SR200	1
9131	Shaft, Drive Arm — SR200	1
9142	Guide, Spring — SR200	1
9175	Spring, Trip — SR200	1
9440	Spacer, Drive Arm to Shift Arm — SR200	1
10085-001	Cap Assembly, Arm Bearing — SR200	2
10089	Cap Assembly, Shift Lever — SR200	1





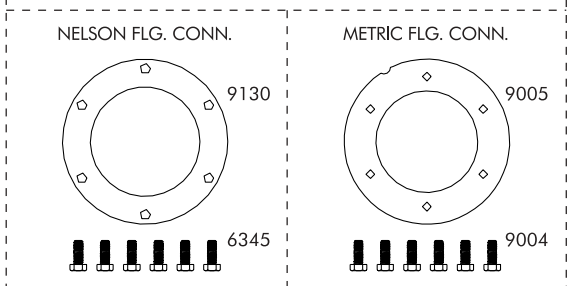
BEARING ASSEMBLY HD200

part number	description	qty.
6345	Screw, 3/8-16 x 1" Hex Head Cap	6
9009	Brake — HD200	1
9010	Seal, Upper — HD200	1
9011	Seal, Lower — HD200	1
9019	Cover — HD200	1
9021	Housing — HD200	1
9108	Seal, Dust — HD200	1
9109	Bearing, Ball	2
9110	Gasket, Housing — HD200	2
9111	O-Ring, -347 Special	1
9112	O-Ring, -340	1
9113	Screw, 3/8-16 x 5 1/2" Hex Head Cap	6
9128	Gasket, Elbow — SR200	1
9172	Spring, Brake, Inner — HD200	12
9173	Spring, Brake, Outer — HD200	12
9276	Stem Assembly w/ Dust Seal — HD200	1
10084	Retainer Assembly — HD200	1
10090	Metric Flange Assembly — HD200	1
10091	Nelson Flange Assembly — HD200	1
10153-002	Screw, .375-16 x 6" Hex Socket Head Cap	6
10333-001	ANSI Flange Assembly — HD200	1

MOUNTING HARDWARE

part number	description	qty.
6345	Screw, 3/8-16 x 1" Hex Head Cap	6
9004	Screw, M8 x 1.25 x 25mm Hex Head Cap	6
9005	Gasket, Metric Flange — HD200	1
9130	Gasket, Flange — HD150	1

FLANGE GASKET AND FASTENERS FOR GUN MOUNTING



WARRANTY AND DISCLAIMER

Nelson Big Gun® sprinklers are warranted for one year from date of original sale to be free of defective materials and workmanship when used within the working specifications for which the product was designed and under normal use and service. The manufacturer assumes no responsibility for installation, is limited solely to replacement or repair of defective parts, and the manufacturer will not be liable for any crops or other consequential damages resulting from any defects or breach of warranty. THIS WARRANTY IS EXPRESSLY IN LIEU OF ALL OTHER WARRANTIES, EXPRESS OR IMPLIED, INCLUDING THE WARRANTIES OF MERCHANTABILITY AND FITNESS FOR PARTICULAR PURPOSES AND OF ALL OTHER OBLIGATIONS OR LIABILITIES OF MANUFACTURER. No agent, employee or representative of the manufacturer has authority to waive, alter or add to the provision of the warranty, nor to make any representations or warranty not contained herein.