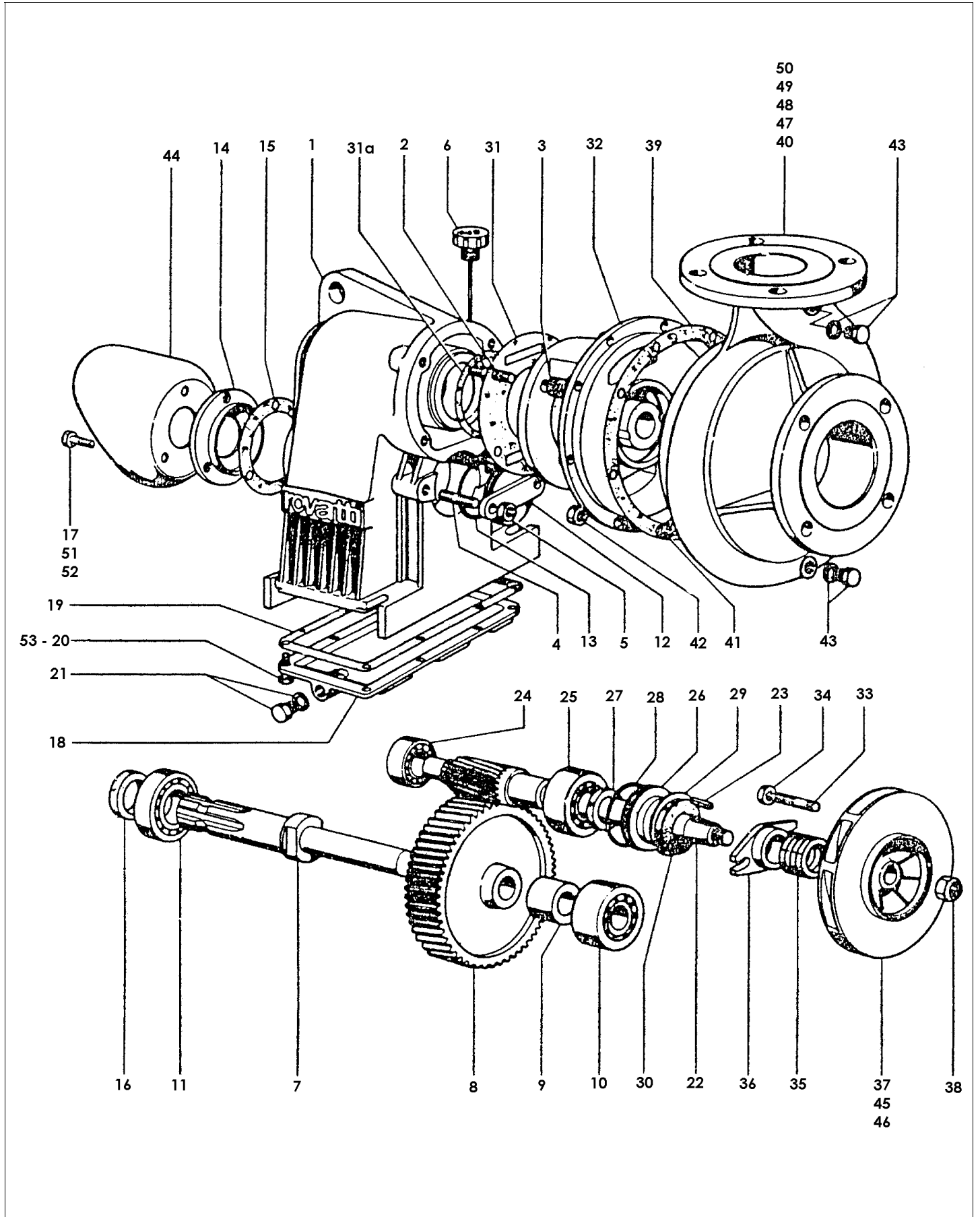


Rovatti T3 Series Pump

Itemized Part Listing

11/2002



Place "R!" prefix before all part numbers before placing orders

POS	Item Description	T3-80A		T3-100A	
		Part #	Q	Part #	Q
1	Gearbox	5153	1	5153	1
2	Bolt / Stud	VP16	6	VP16	6
3	Nut / Hex M10	DEA12	6	DEA12	6
4	Bolt	VTE27	2	VTE27	2
5	Washer	RE12	2	RE12	2
6	Plug / Breather	4371	1	4371	1
7	Shaft / PTO	5131	1	5131	1
8	Gear / Transmission Z=83, R=6,92	5435	1	5435	1
8	Gear / Transmission Z=83, R=6,38	5140	1	5140	1
8	Gear / Transmission Z=82, R=5,85	5141	1	5141	1
8	Gear / Transmission Z=81, R=5,4	5142	1	5142	1
8	Gear / Transmission Z=80, R=5	5143	1	5143	1
8	Gear / Transmission Z=75, R=3,57	5215	1	5215	1
9	Spacer	5132	1	5132	1
10	Bearing *	CU9	1	CU9	1
11	Bearing *	CU4b	1	CU4b	1
12	Cover	5129	1	5129	1
13	O-Ring *	OR4	1	OR4	1
14	Cover	5127	1	5127	1
15	Gasket *	5148	1	5148	1
16	Seal / Oil *	AT10	1	AT10	1
17	Bolt / Hex	VTE2	3	VTE2	3
18	Cover	5154	1	5154	1
19	Gasket *	5147	1	5147	1
20	Bolt / Hex	VTE1	8	VTE1	8
21	Plug / Magnetic	4470	1	4470	1
22	Shaft / Pinion Z=12, R=6,92	5434	1	5434	1
22	Shaft / Pinion Z=13, R=6,38	5136	1	5136	1
22	Shaft / Pinion Z=14, R=5,85	5137	1	5137	1
22	Shaft / Pinion Z=15, R=5,4	5138	1	5138	1
22	Shaft / Pinion Z=16, R=5	5139	1	5139	1
22	Shaft / Pinion Z=21, R=3,57	5214	1	5214	1
23	Key	LI20	1	LI20	1
24	Bearing *	CU20	1	CU20	1
25	Bearing *	CU21	1	CU21	1
26	Cover	5128	1	5128	1
27	Seal / Oil *	AT6	1	AT6	1
28	O-Ring *	OR4	1	OR4	1
29	Washer / Inner spring	AFI8	1	AFI8	1
30	Ring/Water Sealing	AP3	1	AP3	1
31	Gasket *	5149	1	5149	1
31a	Gasket *	5464	1	5464	1
32	Support / Pump	5133	1	5134	1
33	Stud Bolt	VP5	2	VP5	2
34	Nut	DEA10	2	DEA10	2
35	Ring / Packing *	5640	6	5640	6
36	Flange / Box Stuffing	1007	1	1007	1
37	Impeller *	4421	1	4419	1
38	Nut / Lock	DA20b	1	DA20b	1
39	Gasket *	3100	1	2861	1
40	Body / Pump	3102	1	2883	1
41	Stud Bolt	VP3	8	VP3	8
42	Nut	DEA10	8	DEA10	8
43	Plug	NO19	2	NO19	2
44	Guard / PTO	4477	1	4477	1
45	Ring / Wear *	****	**	****	**
47	Plug	****	**	****	**
52	Washer	RB8	3	RB8	3
53	Washer	RB6	8	RB6	8

NOTE: See serial plate located on pump for ratio to indicate parts needed for POS 8 and 22.

It is useful to keep a stock of fast wearing parts on hand for quick repairs. Most recommended spare parts are marked by an asterisk (*) following part description.

1-800-Team ABI

Email abigausa@att.net
www.abi-irrigation.com



AgriBusiness International, Inc
P.O. Box 909
Villa Rica, Georgia 30180 USA
Ph. 770-459-4401 Fax. 770-459-6877