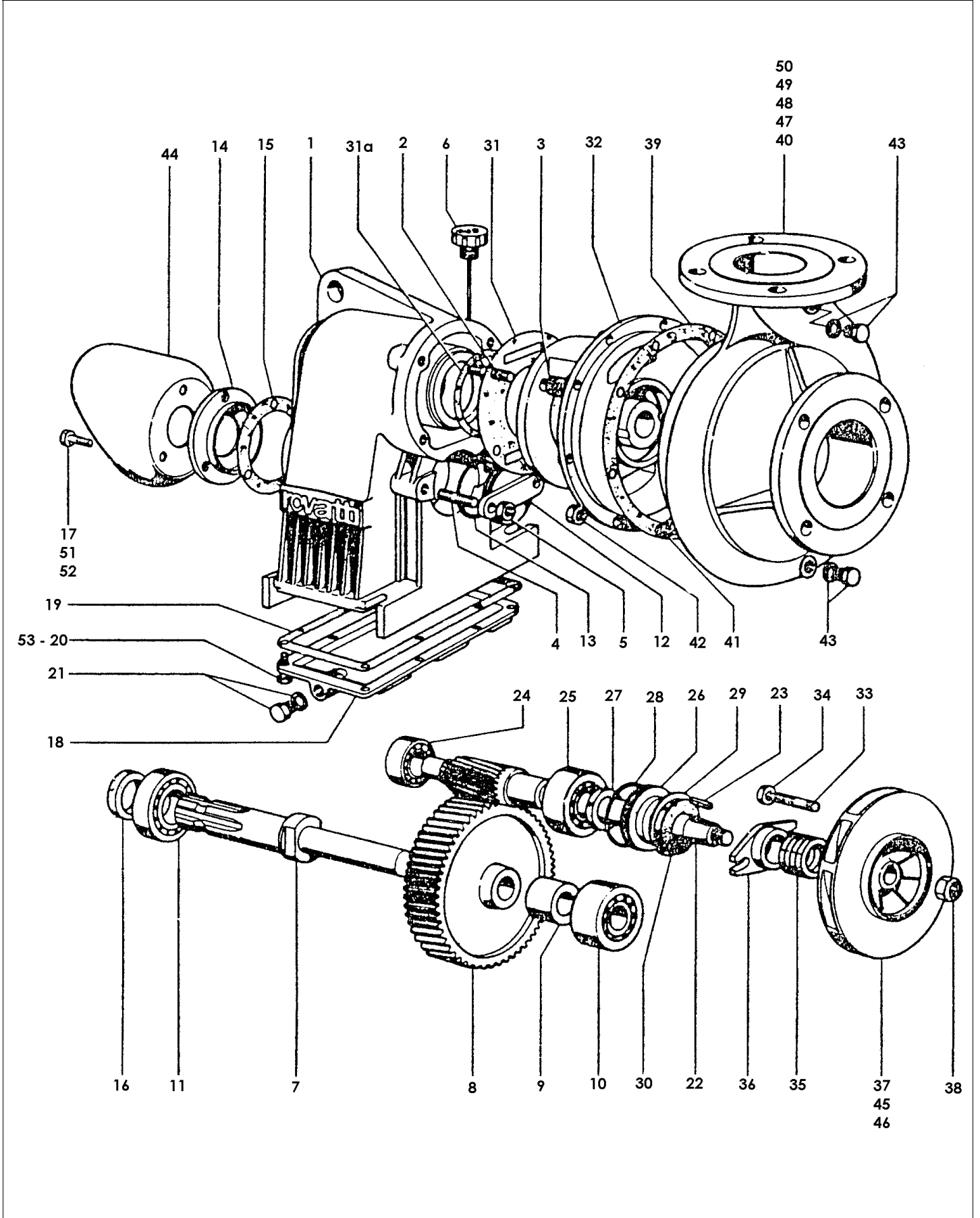


# Rovatti T4 Series Pump

Itemized Part Listing

11/2002



**Place "RI" prefix before all part numbers before placing orders**

POS	Item Description	T4-100		T4-125	
		Part #	Q	Part #	Q
1	Gearbox	5295	1	5295	1
2	Bolt / Stud	VP16	6	VP16	6
3	Nut / Hex M10	DEA12	6	DEA12	6
4	Bolt	VTE27	2	VTE27	2
5	Washer	RE12	2	RE12	2
6	Plug / Breather	4371	1	4371	1
7	Shaft / PTO	5302	1	5302	1
8	Gear / Transmission Z=83, R=5.93	5305	1	5305	1
8	Gear / Transmission Z=82, R=5.47	5307	1	5307	1
8	Gear / Transmission Z=81, R=5.06	5367	1	5367	1
8	Gear / Transmission Z=79, R=4.39	****		5371	1
8	Gear / Transmission Z=78, R=4.10	5369	1	****	1
8	Gear / Transmission Z=75, R=3,41	5308	1	5308	1
9	Spacer	5300	1	5300	1
10	Bearing *	CU15	1	CU15	1
11	Bearing *	CU30	1	CU30	1
12	Cover	5297	1	5297	1
13	O-Ring *	OR5	1	OR5	1
14	Cover	5298	1	5298	1
15	Gasket *	5301	1	5301	1
16	Seal / Oil *	AT10	1	AT10	1
17	Bolt / Hex	VTSP1	3	VTSP1	3
18	Cover	5296	1	5296	1
19	Gasket *	5310	1	5310	1
20	Bolt / Hex	VTE2	8	VTE2	8
21	Plug / Magnetic	4470	1	4470	1
22	Shaft / Pinion Z=14, R=5.93	5314	1	5314	1
22	Shaft / Pinion Z=15, R=5.47	5315	1	5315	1
22	Shaft / Pinion Z=16, R=5.06	5366	1	5366	1
22	Shaft / Pinion Z=18, R=4.39	****		6554	1
22	Shaft / Pinion Z=19, R=4.10	6409	1	****	1
22	Shaft / Pinion Z=22, R=3,41	5316	1	5316	1
23	Key	LI12	1	LI12	1
24	Bearing *	CU21	1	CU21	1
25	Bearing *	CU31	1	CU31	1
26	Cover	5299	1	5299	1
27	Seal / Oil *	AT8	1	AT8	1
28	O-Ring *	OR6	1	OR6	1
29	Washer / Inner spring	AFI9	1	AFI9	1
30	Ring/Water Sealing	AP4	1	AP4	1
31	Gasket *	5323	1	5323	1
31a	Gasket *	5465	1	5465	1
32	Support / Pump	5321	1	5320	1
33	Stud Bolt	VP5	2	VP5	2
34	Nut	DEA10	2	DEA10	2
35	Ring / Packing *	5641	6	5641	6
36	Flange / Box Stuffing	1034	1	1034	1
37	Impeller *	5676	1	3847	1
38	Nut / Lock	DA24b	1	DA24b	1
39	Gasket *	4023	1	3889	1
40	Body / Pump	5675	1	3851	1
41	Stud Bolt	VP16	10	VP16	8
42	Nut	DEA12	10	DEA12	8
43	Plug	NO19	2	NO19	2
44	Guard / PTO	4477	1	4477	1
45	Ring / Wear *	3686	1	****	
46	Ring / Wear *	5500	1	****	
47	Plug	****		****	3
51	Bolt / Hex	VTE11	3	VTE11	8
52	Washer	RB1	3	RB1	3
53	Washer	RB8	8	RB8	8

**NOTE: See serial plate located on pump for ratio to indicate parts needed for POS 8 and 22.**

It is useful to keep a stock of fast wearing parts on hand for quick repairs. Most recommended spare parts are marked by an asterisk (\*) following part description.

**1-800-Team ABI**



Email [abigausa@att.net](mailto:abigausa@att.net)  
[www.abi-irrigation.com](http://www.abi-irrigation.com)



**AgriBusiness International, Inc**  
 P.O. Box 909  
 Villa Rica, Georgia 30180 USA  
 Ph. 770-459-4401 Fx. 770-459-6877