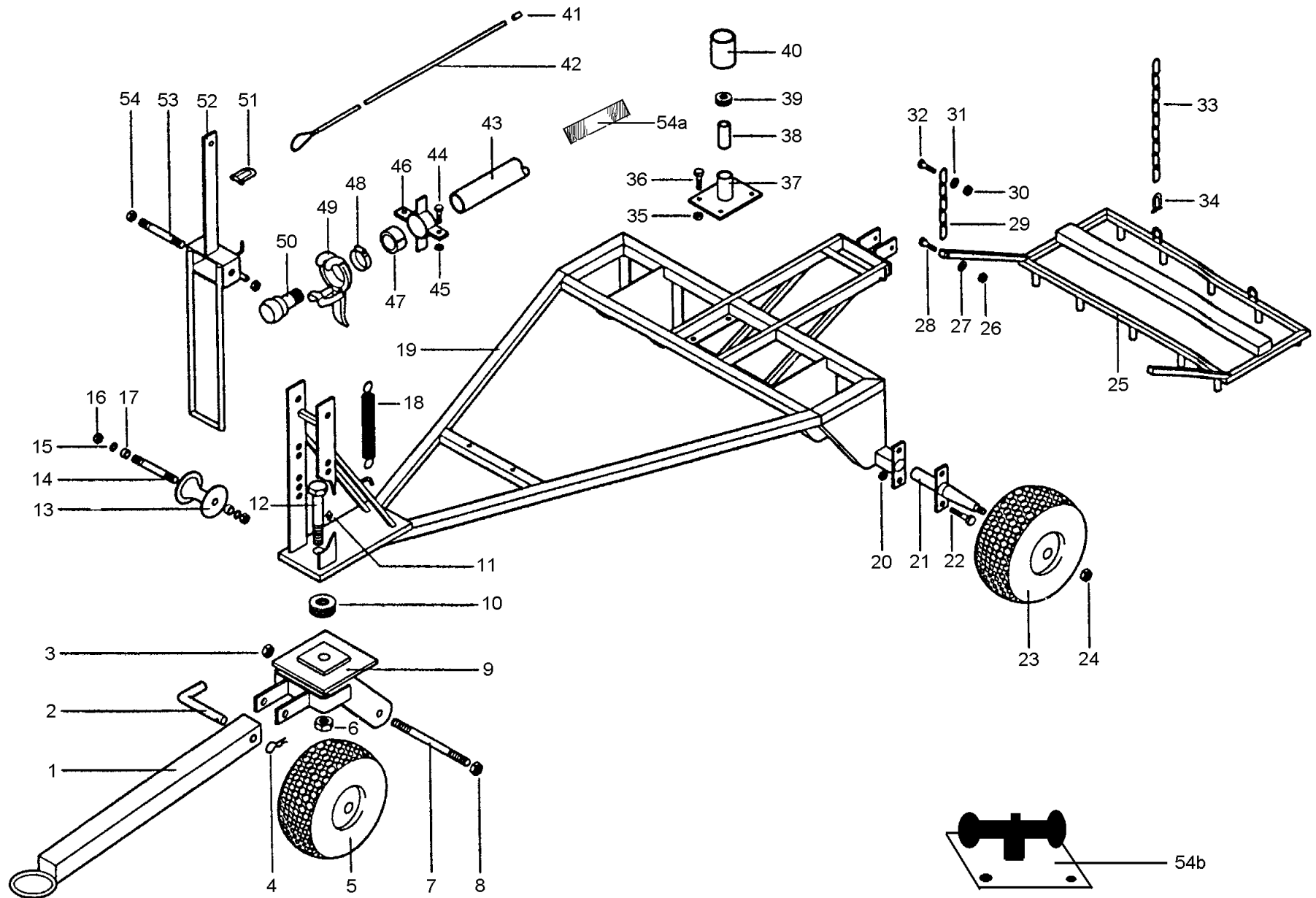


AquaReel C-Series

Itemized Part Listing



		AquaReel 'C'	
POS	Item Description	Part #	Q
1	Drawbar	DWAQ001	1
2	Pin / Drawbar	DWAQ002	1
3	Nut M12	RIDEA12	1
4	R-Clip	F 50329	1
5	Wheel / Front	DWAQ007	1
6	Nut M20	E 89543	1
7	Axle / Front	DWAQ012	1
8	Nut M12	RIDEA12	1
9	Assembly / Front Wheel	DWAQ017	1
10	Bearing / Thrust	DWAQ019	1
11	Nipple / Grease	M 28025	1
12	Bolt / 20 x 70	N 42470	1
13	Spool / Plastic	DWAQ022	1
14	Stud / 8 x	DWAQ023	1
15	Washer M8	R 60275	2
16	Nut M8	RIDEA8	2
17	Spacer	DWAQ026	2
18	Spring		1
19	Chassis	DWAQ028C	1
20	Nut M12	RIDEA12	4
21	Stub / Axle & Hub	DWAQ030	2
22	Bolt / 12 x 40	G 23290	4
23	Wheel / 18-8.50x8	DWAQ903	2
24	Nut / Axle	DWAQ032	2
25	Brake / Rear	DWAQ033	1
26	Nut M12	RIDEA12	2
27	Washer M12	V 70421	2
28	Bolt / 12 x 50	P 27682	2
29	Chain	DWAQ037	2
30	Nut M12	RIDEA12	2
31	Washer M12	V 70421	2
32	Bolt / 12 x 40	G 23290	2
33	Chain	DWAQ041	2
34	"D" Shackle	DWAQ042	2
35	Nut M12	RIDEA12	4
36	Bolt / 12 x 40	G 23290	4
37	Plate / Drum Bearing	DWAQ047	1
38	Bushing / Nylon	DWAQ051	1
39	Bearing	DWAQ055	1
40	Sleeve	DWAQ059	1
41	Ferrule / Wire Rope	DWAQ061	1
42	Rope / Wire	DWAQ062	1
43	Hose / 40mm	DWAQ065	1
44	Bolt / 8 x 30	BR16757	2
45	Nut M8	RIDEA8	2
46	Bracket / Hose Stop	DWAQ069	1
47	Insert / 40mm	DWAQ072	1
48	Clamp / Hose	DWAQ074	1
49	Clamp / S2 Lever 2"	304B2	1
50	Ball 2" x 40mm Hosetail	DWAQ078	1
51	"D" Shackle	DWAQ080	1
52	Activator / Clutch	DWAQ081	1
53	Stud Bolt 12 x 130	DWAQ082	1
54	Nut M12	RIDEA12	2
54a	Coupler / Hose Repair 40mm	DWAQ904	1
54b	Plate / Anchor	DWAQ901	1

It is useful to keep a stock of fast wearing parts on hand for quick repairs. Most recommended spare parts are marked by an asterisk (*) following part description.

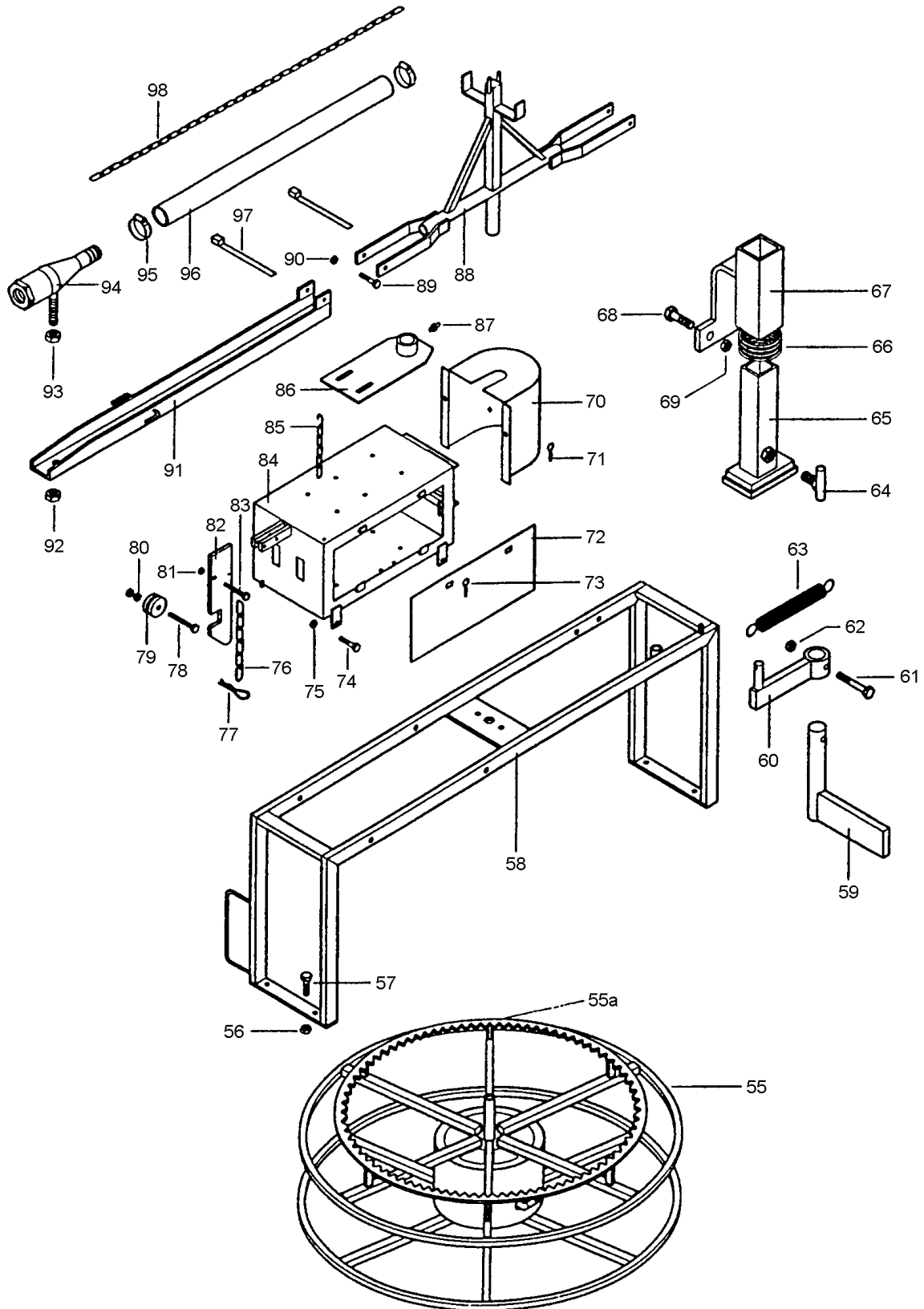
1-800-Team ABI

Email abigausa@att.net
www.abi-irrigation.com

squareel.pdf ABI 2008



AgriBusiness International, Inc
P.O. Box 909
Villa Rica, Georgia 30180 USA
Ph. 770-459-4401 Fx. 770-459-6877



POS	Item Description	AquaReel 'C'	
		Part #	Q
55	Hose Reel Assembly	DWAQ086	1
55a	Hose Reel Gear	DWAQ090	1
56	Nut M12	DWAQ092	1
57	Bolt M12x35	DWAQ093	1
58	Hose Reel Frame	DWAQ096	1
59	Ratchet Assembly	DWAQ098	1
60	Ratchet Return Bar	DWAQ099	1
61	M8 x 40 Bolt	DWAQ100	1
62	M8 Nut	DWAQ101	1
63	Spring	DWAQ102	1
64	Locking Screw	DWAQ103	1
65	Brake Pressure Plate	DWAQ104	1
66	Brake Pressure Plate Spring	DWAQ105	1
67	Brake Assembly (Top)	DWAQ106	1
68	M12 x 35 Bolt	DWAQ107	1
69	M12 Nut	DWAQ108	1
70	Chain Guard	DWAQ109	1
71	C/Clip	DWAQ110	1
72	Gearbox Cover	DWAQ111	1
73	C/Clip	DWAQ112	1
74	M8 x 50 Bolt	DWAQ113	1
75	M8 Nut	DWAQ114	1
76	Chain	DWAQ115	1
77	C/Clip	DWAQ116	1
78	M8 x 50 Bolt	DWAQ117	1
79	Wire Rope Guide Wheel	DWAQ118	1
80	M8 Nut	DWAQ119	1
81	M8 Nut	DWAQ120	1
82	Clutch Lever	DWAQ121	1
83	M8 x 50 Bolt	DWAQ122	1
84	Gearbox Casing	DWAQ123	1
85	Clutch Lever Chain	DWAQ124	1
86	Adjusting Plate	DWAQ125	1
87	Grease Nipple	DWAQ126	1
88	Hose Rotor	DWAQ127	1
89	M8 x 50 Bolt	DWAQ131	1
90	M8 Nut	DWAQ132	1
91	Drive Arms	DWAQ136	1
92	M10 Nut	DWAQ137	1
93	M10 Nut	DWAQ138	1
94	Hose, Nozzle Assembly	DWAQ139	1
94a			1
95	Hose Clip (Model A)	DWAQ140	1
96	40mm Tricoflex Hose	DWAQ144	1
97	Hose Ties	DWAQ150	1
98	Drive Arms Chains		

It is useful to keep a stock of fast wearing parts on hand for quick repairs. Most recommended spare parts are marked by an asterisk (*) following part description.

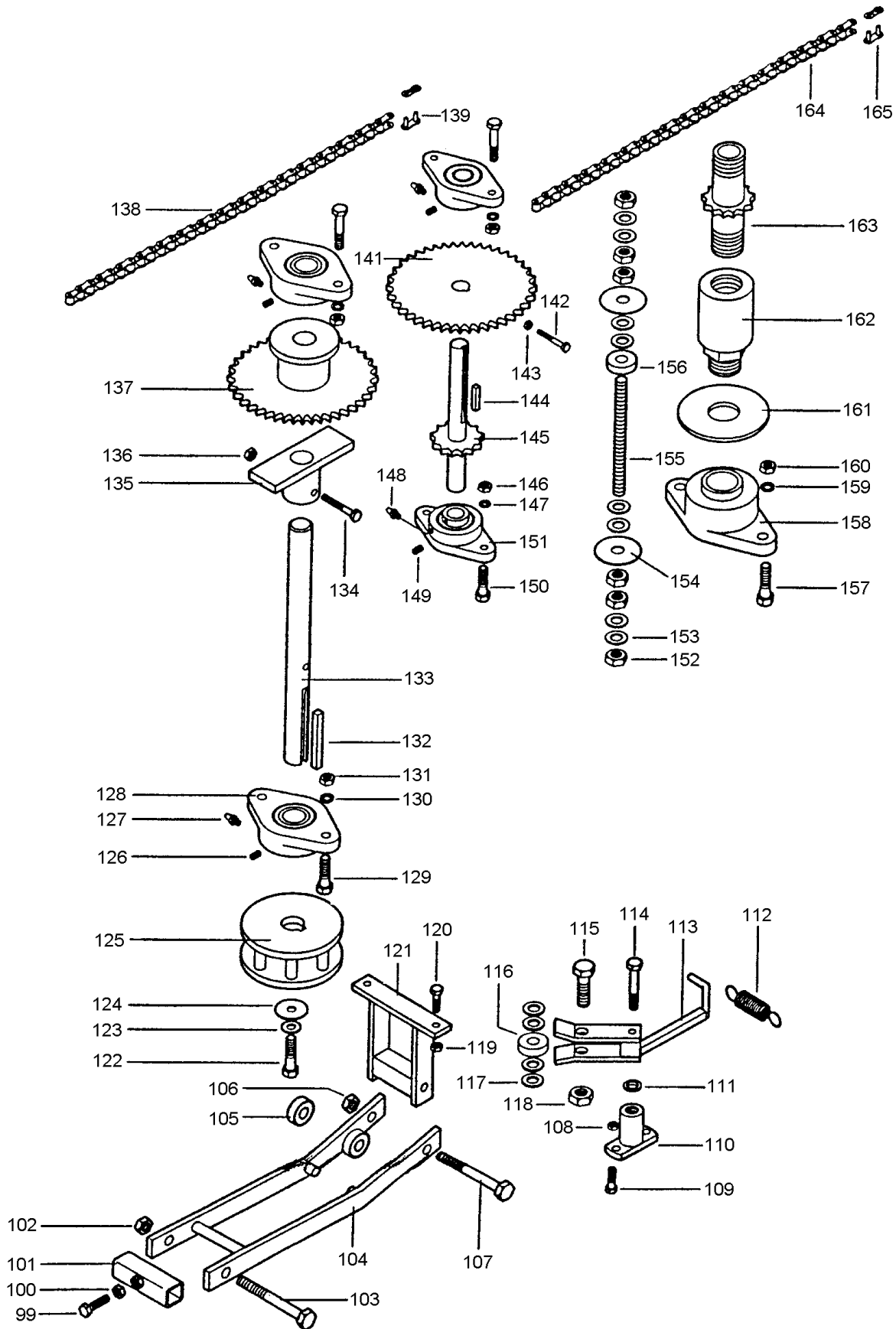
1-800-Team ABI

Email abigausa@att.net
www.abi-irrigation.com

aquareel.pdf ABI 2008



AgriBusiness International, Inc
 P.O. Box 909
 Villa Rica, Georgia 30180 USA
 Ph. 770-459-4401 Fx. 770-459-6877



		AquaReel 'C'	
POS	Item Description	Part #	Q
99	Bolt M10x40	DWAQ155	1
100	Locking Nut M10	DWAQ156	1
101	Locking Nut Sleeve	DWAQ157	1
102	Nut M12	DWAQ158	1
103	Bolt M12x35	DWAQ159	1
104	Clutch Arm	DWAQ160	1
105	Bearing	DWAQ164	1
106	M12 Nut	DWAQ165	1
107	M12 x 40 Nut	DWAQ166	1
108	M8 Nut	DWAQ167	1
109	M8 x 30 Bolt	DWAQ1648	1
110	Chain Tensioner Bracket	DWAQ169	1
111	M8 Washer	DWAQ170	1
112	Spring	DWAQ171	1
113	Chain Tensioner Arm	DWAQ172	1
114	M10 x 70 Bolt	DWAQ173	1
115	M12 x 45 Bolt	DWAQ174	1
116	Bearing	DWAQ175	1
117	M12 Washer	DWAQ176	1
118	M12 Nut	DWAQ177	1
119	M8 Nut	DWAQ178	1
120	M8 x 35 Bolt	DWAQ179	1
121	Clutch Arm Bracket	DWAQ180	1
123	M10 Washer	DWAQ182	1
124	M10 Washer	DWAQ183	1
125	Hose Reel Main Drive Gear	DWAQ184	1
126	M10 Grub Screw	DWAQ185	1
127	Grease Nipple	DWAQ186	1
128	Main Drive Shaft Bearing	DWAQ187	1
129	M10 x 35 Bolt	DWAQ188	1
130	M10 Washer	DWAQ189	1
131	M10 Nut	DWAQ190	1
132	Keyway for Main Drive Shaft	DWAQ191	1
133	Main Drive Shaft	DWAQ192	1
134	M8 x 50	DWAQ193	1
135	Main Drive Shaft T Bracket	DWAQ194	1
136	M8 Nut	DWAQ195	1
137	Main Drive Shaft Sprocket	DWAQ196	1
138	Main Drive Shaft Chain	DWAQ197	1
139	Chain Split Link	DWAQ198	1
141	Intermediate Sprocket	DWAQ199	1
142	M6 x 40 Bolt	DWAQ200	1
143	M6 Nut	DWAQ201	1
144	Intermediate Shaft Key	DWAQ202	1
145	Intermediate Shaft & Sprocket	DWAQ203	1
146	M10 Nut	DWAQ204	1
147	M10 Nut	DWAQ205	1
148	Grease Nipple	DWAQ206	1
149	M10 Grub Screw	DWAQ207	1
150	M10 x 35 Bolt	DWAQ208	1
151	Intermediate Shaft Bearing	DWAQ209	1
152	M12 Nut	DWAQ210	1
153	M12 Washer	DWAQ211	1
154	M12 Washer	DWAQ212	1
155	M12 Threaded Bar	DWAQ213	1
156	Bearing	DWAQ214	1
157	M10 x 30 Bolt	DWAQ215	1
158	Hose Rotor Bearing	DWAQ216	1
159	M10 Washer	DWAQ217	1
160	M10 Nut	DWAQ218	1
161	Rubber Seal	DWAQ219	1
162	Swivel Bearing Seal	DWAQ220	1
163	Sprocket	DWAQ221	1
164	Chain	DWAQ222	1
165	Split Link	DWAQ223	1

It is useful to keep a stock of fast wearing parts on hand for quick repairs. Most recommended spare parts are marked by an asterisk (*) following part description.

1-800-Team ABI

Email abigausa@att.net
www.abi-irrigation.com

squareel.pdf ABI 2008



AgriBusiness International, Inc
P.O. Box 909
Villa Rica, Georgia 30180 USA
Ph. 770-459-4401 Fx. 770-459-6877