

Standard Features

- Low pressure turbine drive.
- Minimum pressure requirement of 35 psi.
- Automatic drive shut-off at end of irrigation cycle.
- Automatic water shut-off.
- Adjustable width wheeled sprinkler cart.
- Part circle sprinkler
- Pressure gauge.
- Speed control valve for more accurate applications.
- Scroll type hoseguide.
- Heavy duty rubber supply hose.
- Extra width floatation tires.
- Automatic cart loading.
- Automatic cart lifting.
- Rotating third wheel jack.
- Lockable drive system cover.

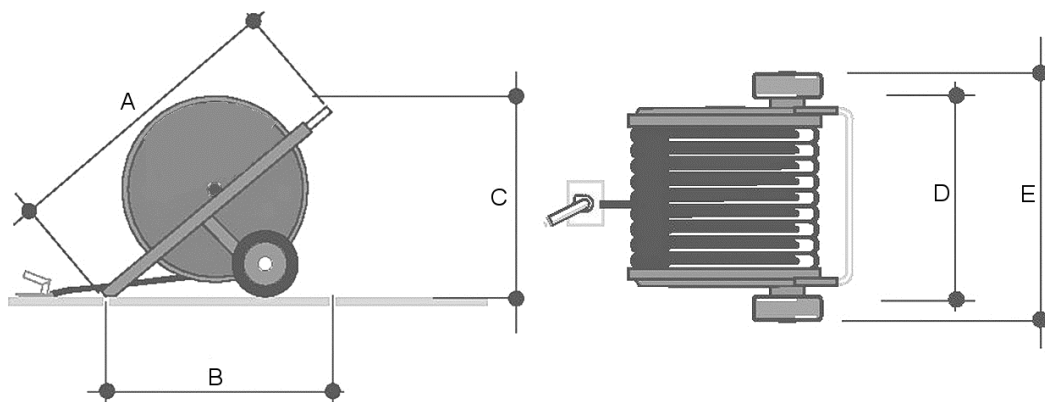
P.E. Pipe O.D.: 1.57" (40 mm)			P.E. Pipe I.D.: 1.3" (33 mm)				P.E. Pipe Length: 425' (130 m)				
40/425							SPEED OF P.E. PIPE PULL IN METERS/HOUR				
							9	15	19	25	30
SPRINKLER: SIME K1							SPEED OF P.E. PIPE PULL IN FEET/HOUR				
							30	50	60	80	100
INLET PRESSURE (PSI)	NOZZLE PRESSURE (PSI)	NOZZLE SIZE (MM)	WATER FLOW (GPM)	SPRAY RANGE (FEET)	SPACING (FEET) 85%	ACRES PER PULL	PRECIPITATION RATE IN INCHES				
35	22		13	51	91.8	1.0	0.5	0.3	0.2	0.1	0.1
45	30	8 (0.32)	15	56	95.2	1.0	0.5	0.3	0.3	0.2	0.1
80	58		21	67	113.9	1.0	0.7	0.4	0.4	0.3	0.2
39	22		16	54	91.8	1.0	0.5	0.3	0.2	0.1	0.1
48	30	9 (0.35)	19	57	96.9	1.0	0.5	0.3	0.3	0.2	0.1
89	58		26	69	117.3	1.0	0.7	0.4	0.4	0.3	0.2
42	22		20	56	95.2	1.0	0.7	0.4	0.4	0.3	0.2
54	30	10 (0.40)	23	59	100.3	1.0	0.8	0.5	0.4	0.3	0.2
96	58		33	72	122.4	1.0	1.1	0.7	0.5	0.4	0.3
60	22		29	56	95.2	1.0	1.0	0.6	0.5	0.4	0.3
68	30	12 (0.47)	34	62	105.4	1.3	0.9	0.5	0.4	0.3	0.2
110	58		47	77	130.9	1.3	1.1	0.7	0.5	0.4	0.3
ESTIMATED TIME FOR COMPLETE WINDING IN HOURS → → →							14.0	8.5	7.0	5.5	4.5

Performance data has been obtained under ideal test conditions and may be adversely affected by wind, poor inlet pressure conditions or other factors.

No representation regarding droplet condition, uniformity, application rate or suitability for a particular application is made herein.

Operating at lower or higher pressures than stated above may result in warranty being voided.

Acreage is based on 1-inch application, 15 hours a day, 7 days a week.



Dimensions

A	5'-1"
B	4'-7"
C	3'-8"
D	3'-2"
E	3'-6"

Empty Weight

425 lbs