

Standard Features

- Low pressure turbine drive.
- Minimum pressure requirement of 35 psi.
- Automatic drive shut-off at end of irrigation cycle.
- Automatic water shut-off.
- Adjustable width wheeled sprinkler cart.
- Part circle sprinkler
- Pressure gauge.
- Speed control valve for more accurate applications.
- Scroll type hoseguide.
- Heavy duty rubber supply hose.
- Extra width floatation tires.
- Automatic cart loading.
- Automatic cart lifting.
- Rotating third wheel jack.
- Lockable drive system cover.

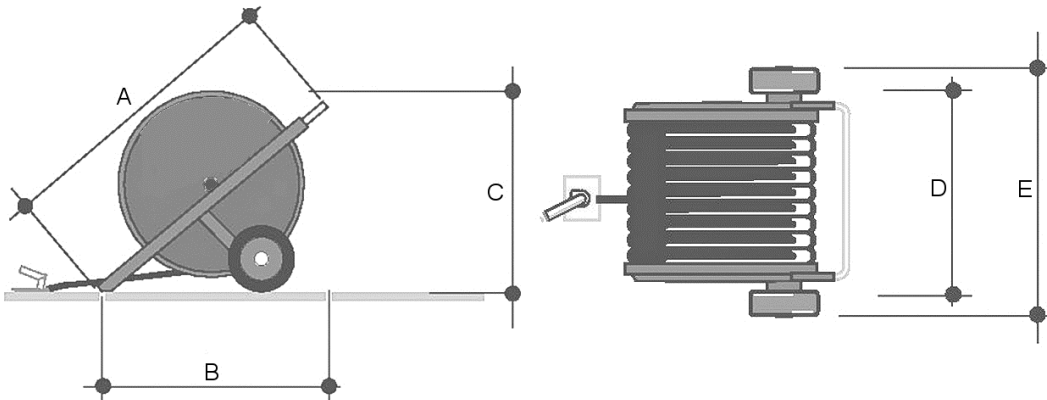
P.E. Pipe O.D.: 1.97" (50 mm)			P.E. Pipe I.D.: 1.6" (40.5 mm)				P.E. Pipe Length: 525' (160 m)				
50/525							SPEED OF P.E. PIPE PULL IN METERS/HOUR				
							9	15	19	25	30
SPRINKLER: KOMET 163							SPEED OF P.E. PIPE PULL IN FEET/HOUR				
							30	50	60	80	100
INLET PRESSURE (PSI)	NOZZLE PRESSURE (PSI)	NOZZLE SIZE (MM)	WATER FLOW (GPM)	SPRAY RANGE (FEET)	SPACING (FEET) 85%	ACRES PER PULL	PRECIPITATION RATE IN INCHES				
73	50		39	83	120	1.6	1.0	0.6	0.5	0.3	0.2
86	60	10 (0.40)	43	89	150	2.0	1.1	0.6	0.5	0.3	0.2
99	70		46	93	150	2.1	1.1	0.6	0.5	0.3	0.2
84	50		53	90	150	2.0	1.1	0.7	0.5	0.4	0.2
101	60	12 (0.47)	58	95	150	2.1	1.2	0.7	0.6	0.4	0.2
115	70		62	99	150	2.1	1.3	0.8	0.6	0.4	0.2
99	50		68	94	150	2.1	1.5	0.9	0.7	0.6	0.4
113	60	14 (0.55)	75	100	150	2.1	1.6	1.0	0.7	0.6	0.5
123	70		81	104	150	2.1	1.7	1.0	0.8	0.7	0.5
ESTIMATED TIME FOR COMPLETE WINDING IN HOURS → → →							17.5	10.5	8.7	6.5	5.2

Performance data has been obtained under ideal test conditions and may be adversely affected by wind, poor inlet pressure conditions or other factors.

No representation regarding droplet condition, uniformity, application rate or suitability for a particular application is made herein.

Operating at lower or higher pressures than stated above may result in warranty being voided.

Acreage is based on 1-inch application, 15 hours a day, 7 days a week.



Dimensions

A	6'-6"
B	5'-10"
C	4'-6"
D	4'-0"
E	4'-6"

Empty Weight

650 lbs

Standard Features

- Low pressure turbine drive.
- Minimum pressure requirement of 35 psi.
- Automatic drive shut-off at end of irrigation cycle.
- Automatic water shut-off.
- Adjustable width wheeled sprinkler cart.
- Part circle sprinkler
- Pressure gauge.
- Speed control valve for more accurate applications.
- Scroll type hoseguide.
- Heavy duty rubber supply hose.
- Extra width floatation tires.
- Automatic cart loading.
- Automatic cart lifting.
- Rotating third wheel jack.
- Lockable drive system cover.
- 5.5hp Honda Booster Pump with 5 gal. fuel tank.

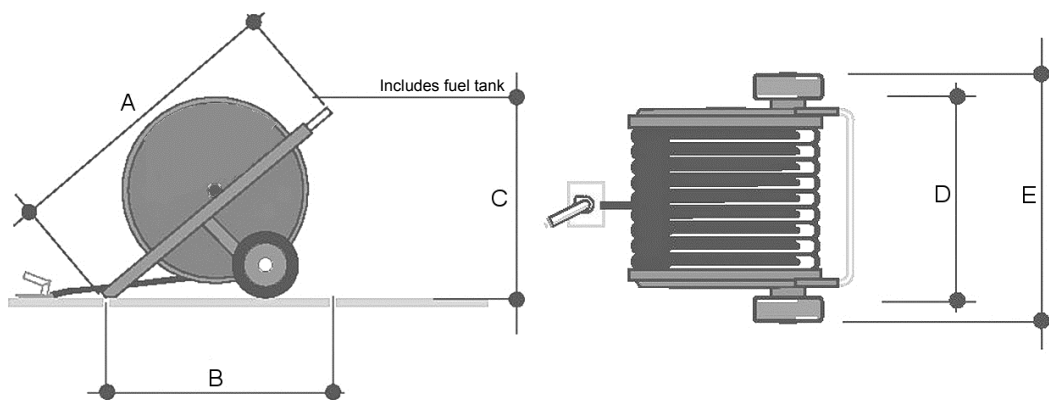
P.E. Pipe O.D.: 1.97" (50 mm)			P.E. Pipe I.D.: 1.6" (40.5 mm)				P.E. Pipe Length: 525' (160 m)				
50/525							SPEED OF P.E. PIPE PULL IN METERS/HOUR				
							9	15	19	25	30
SPRINKLER: KOMET 101 ULTRA							SPEED OF P.E. PIPE PULL IN FEET/HOUR				
							30	50	60	80	100
INLET PRESSURE (PSI)	NOZZLE PRESSURE (PSI)	NOZZLE SIZE (MM)	WATER FLOW (GPM)	SPRAY RANGE (FEET)	SPACING (FEET) 85%	ACRES PER PULL	PRECIPITATION RATE IN INCHES				
81	50	12 (0.47)	45	106	180	2.5	0.8	0.5	0.4	0.3	0.3
95	60		50	109	180	2.6	0.8	0.5	0.4	0.3	0.3
108	70		54	114	180	2.6	0.8	0.6	0.4	0.4	0.3
98	50	14 (0.55)	62	112	180	2.6	1.0	0.7	0.5	0.4	0.3
110	60		67	117	180	2.6	1.0	0.7	0.5	0.4	0.4
125	70		73	121	180	2.6	1.1	0.8	0.6	0.4	0.4
110	50	16 (0.63)	80	117	180	2.6	1.3	0.9	0.7	0.5	0.4
122	60		87	123	210	3.0	1.2	0.8	0.6	0.5	0.4
134	70		94	129	210	3.0	1.3	0.9	0.7	0.5	0.4
ESTIMATED TIME FOR COMPLETE WINDING IN HOURS → → →							17.5	10.5	8.7	6.5	5.2

Performance data has been obtained under ideal test conditions and may be adversely affected by wind, poor inlet pressure conditions or other factors.

No representation regarding droplet condition, uniformity, application rate or suitability for a particular application is made herein.

Operating at lower or higher pressures than stated above may result in warranty being voided.

Acreage is based on 1-inch application, 15 hours a day, 7 days a week.



Dimensions

A	6'-6"
B	6'-10"
C	5'-6"
D	4'-0"
E	4'-6"

Empty Weight

900 lbs