

 <b>S. QUIRICO DI TRECASALI</b> (PARMA)-ITALIA	<b>IRRIGATORE SEMOVENTE MOD. 690GX-581GX EVO</b> SELF-PROPELLED SPRINKLER MODEL 690GX-581GX EVO <b>IRRIGATEUR AUTOMOTEUR MODÈLE 690GX-581GX EVO</b> SELBSTFAHRENDE BEWÄSSERUNGSAPPARAT MOD. 690GX-581GX EVO ZELFRIJDANDE SPROEIER TYPE 690GX-581GX EVO	Pag.27 Rev.00 01/2011
---	--	-----------------------------

**Esploso I0581EGXA**  
**MACCHINA IRRIGATRICE SUPER RAIN 581 GX EXPORT**

Note VERSIONE A CATENA DAL 01/01/2005

POS. Pos. Pos. Pos.	PAG. Page Seite Pagina	DENOMINAZIONE Appellation Denomination Bezeichnung Denombrocion	U.M.	N.PEZZI N.Pieces N.Pieces N.Teile N.Plez	CODICE Code Code Kode Codigo	NOTE Annotation Note Aufzeichnung Nota
1	27	108 BAUER M GALV.PLUG	n	1,00	8900112	
2	27	BAUER 108 SEAL	n	2,00	5801142	
3	27	DOUBLE WATER INLET FOR 581-600-690	n	1,00	6001054Z	
4	27	BAUER 108 MALE JOINT	n	2,00	5801138	
5	27	CLAMP 110	n	4,00	5800139	
6	27	HOSE ROMAGNA 15 102X116	m	4,50	5800113	
7	27	SAFETY PROTECTION INNER CHAIN SIDE	n	1,00	7000040	
8	27	SCREW TE M 8 X25	n	8,00	8900204	
9	27	TURBINE T2 FLANGE	n	1,00	5810018	
10	27	OR 4850	n	1,00	5500201	
11	27	WASHER 8X14 1/16"	n	4,00	8900202	
12	27	SCREW TCEI M8X25 INOX	n	4,00	8900203	
13	27	SEAL BT PR/FN 20L VPGF-SX	n	1,00	8900201	
14	27	IMPELLER	n	1,00	5500003	
15	27	SELF-LOCKING NUT M 16	n	1,00	5800209	
16	27	TURBINE T2 CASE WITH CORNER	n	1,00	5501002	
17	27	NOZZLE GUN MIZAR/SINCRO	n	1,00	5500202	Ø
18	27	TURBINE SEAL THICKN.5 MM	n	1,00	5500004	
19	27	OR 108	n	2,00	5800213	
20	27	SELF-LOC.NUT M5	n	2,00	5800211	
21	27	THROTTLE FOR BY PASS VALVE	n	1,00	5500007	
22	27	BY-PASS VALVE SHAFT	n	1,00	5500006	
23	27	ELASTIC PIN D.5X25 INOX	n	1,00	5800212	
24	27	SCREW M 5X20 AISI 304	n	2,00	5800210	
25	27	BY-PASS LEVER	n	1,00	7000016Z	I8900040Z
26	27	FIXING FOR BY-PASS KNOB	n	1,00	5800030Z	
27	27	KNOB 60X20 FIL.10X25	n	1,00	5800102	

CONTINUA

Note

**Esploso I0581EGXA**  
**MACCHINA IRRIGATRICE SUPER RAIN 581 GX EXPORT**

Note VERSIONE A CATENA DAL 01/01/2005

POS. Pos. Pos. Pos.	PAG. Page Seite Pagina	DENOMINAZIONE Appellation Denomination Bezeichnung Denombrocion	U.M.	N.PEZZI N.Pieces N.Pieces N.Teile N.Plez	CODICE Code Code Kode Codigo	NOTE Annotation Note Aufzeichnung Nota
28	27	PIPE SAFETY PROTECTION	n	1,00	6000078	
29	27	MANOPOLA PIATTA ART.1011 / MANOPOLA PVC NERO MOD.1009	n	1,00	5800109/5800186	
30	27	TURBINE SAFETY PROTECTION	n	1,00	6000077	
31	27	MANOMETER G.1/4"	n	1,00	5800115	
32	27	CLAMP GOLD 86-95	n	4,00	5800137	
33	27	HOSE ROMAGNA 15 80X93	m	0,35	5500102	
34	27	581-600 BY-PASS TIE	n	1,00	6002025Z	
35	27	MECHANICAL JACK	n	1,00	5810014	
36	27	QUICK JOINT FEMALE 1/2" F	n	2,00	9900104	OP
37	27	CONNECTION 3/8" - 1/2"	n	2,00	8900109	OP
38	27	PLUG F 2"	n	1,00	5800121	
39	27	GREASER M6X1	n	1,00	5800175	
40	27	SEAL UM 85-105-10	n	1,00	5800106	
41	27	SEEGER E 85	n	1,00	5800110	
42	27	BEARING 6217	n	1,00	5800108	
43	27	BEARING SUPPORT 6217	n	1,00	5800003	
44	27	BUSH 580-600GX	n	1,00	6000046	
45	27	OR 2300 (2.41)	n	1,00	6000112	
46	27	DRUM 581 GX V.2010	n	1,00	5812004	D.581964
46	27	DRUM 581 WITH CHAIN V.2006	n	1,00	5811004	F.581963
47	27	TEETH M16 X 60	n	6,00	7000036	
48	27	CLAMP GOLD 79-86	n	3,00	5700103	
48	27	CLAMP GOLD 86-95	n	3,00	5800137	
48	27	CLAMP GOLD 95-105	n	3,00	5900102	
48	27	CLAMPS GOLD 104-115	n	3,00	5800114	
49	27	IMBOCCATURA TUBO POLIETILENE CON TRONCHETTO	n	1,00	5500033+TRONCHD60	
50	27	TUBO POLIETILENE MD	n	1,00	TMD...	ML.

CONTINUA

Note

**Esploso I0581EGXA**  
**MACCHINA IRRIGATRICE SUPER RAIN 581 GX EXPORT**

Note VERSIONE A CATENA DAL 01/01/2005

POS. Pos. Pos. Pos.	PAG. Page Seite Pagina	DENOMINAZIONE Appelation Denomination Bezeichnung Denombrocion	U.M.	N.PEZZI N.Pieces N.Pieces N.Teile N.Plez	CODICE Code Code Kode Codigo	NOTE Annotation Note Aufzeichnung Nota
51	27	SECURITY CABLE WITH TIE	n	1,00	5500041	
52	27	FIXING FOR BY-PASS TIE	n	1,00	5800058Z	
53	27	890-990 SPEED COMP.SPRING	n	1,00	8900048	
54	27	581 GX STOP CHASSIS	n	1,00	5810017Z	
55	27	581 DRUM PROTECTION PANEL	n	2,00	5810005	F.581963
55	27	CLOSING SIDE PANEL FOR 581 GX	n	1,00	58120042	D.581964
56	27	SUPPORT UCP 208	n	1,00	5800111	
57	27	SEEGER E40	n	1,00	3000103	
58	27	PINION 1/2"S	n	2,00	5500037	Z...
59	27	HOSEGUIDE SUPPORT	n	1,00	5801006	
60	27	PAWL D.35	n	1,00	5800050	
61	27	SEEGER I 35	n	1,00	5800144	
62	27	RIGHT M6 GREASER	n	1,00	5800112	
63	27	ENDLESS SCREW SERIE 590	n	1,00	5900005	
64	27	SUPPORT UCPA 206	n	1,00	6000104	
65	27	CHAIN JOIN.MESH 1/2" S	n	1,00	5800120	
66	27	CHAIN 1/2" S SEDIS	m	2,90	5800119	
67	27	SAFETY PROTECTION INNER CHAIN SIDE	n	1,00	7000040	
68	27	CHAIN PROTECTION 700	n	1,00	7000037	
69	27	RELEASE CABLE WITH TIE	n	1,00	5500025	
70	27	STOP CHASSIS	n	1,00	5811009Z	
71	27	CHASSIS FOR TROLLEY LIFTING	n	1,00	5811006Z	
72	27	CURVE 90 3/8" F+F WITH JOINTS	n	2,00	7000323	OP
73	27	MANUAL PUMP DOUBLE EFFECT	n	1,00	5810108	OP
74	27	581 HOSEGUIDE	n	1,00	5810011Z	
75	27	4-LEV. MD/4 A1X4 DISTRIBUTOR	n	1,00	7000303	OP
76	27	COPIGLIE Ø 4	n	4,00		

CONTINUA

Note

**RM SPA**  
Via Provinciale, 41 - Loc S. Quirico Trecasali  
43018 Sissa-Trecasali (PR)  
Tel 0521 872221 - Fax 0521 874027  
Cod. Fisc e Part.IVA 00153210349

Controllo Esploso 10/0000016  
Data Creazione 22/11/2010  
Data Ult. Modifica 31/07/2017 Ora 15:54

Stampa del 04/12/2017

**Esploso I0581EGXA**  
**MACCHINA IRRIGATRICE SUPER RAIN 581 GX EXPORT**

Note VERSIONE A CATENA DAL 01/01/2005

POS. Pos. Pos. Pos.	PAG. Page Seite Pagina	DENOMINAZIONE Appelation Denomination Bezeichnung Denombrocion	U.M.	N.PEZZI N.Pieces N.Pieces N.Teile N.Plez	CODICE Code Code Kode Codigo	NOTE Annotation Note Aufzeichnung Nota
77	27	HOSEGUIDE ROLLER PIVOT	n	1,00	5800031	
78	27	RULLO PVC GUIDATUBO 560-570-581 + N.2 CUSCINETTI	n	1,00	5700023+5800168	
79	27	UPPER SUPPORT FOR REAR LEG	n	2,00	5810007Z	
80	27	LOWER SUPPORT FOR REAR LEG	n	2,00	5810008Z	
81	27	RIGHT MECHANICAL REAR LEG	n	1,00	5810013Z	OP
81	27	LEFT MECHANICAL REAR LEG	n	1,00	5810015Z	OP
82	27	PIN FOR WHEELS SUPPORT	n	2,00	5800043Z	OP
83	27	DADO M16	n	4,00		
84	27	VITE M16x50 TE	n	4,00		
85	27	RIGHT AND LEFT HYDRAULIC LEG	n	2,00	5810010Z	
86	27	MOD.581 REAR FOOT CYLINDER	n	2,00	5810016	
87	27	3/8" - 1/4" CONNECTION	n	4,00	7000307	
88	27	3/8" WASHER	n	4,00	7000331	
89	27	PIPE 1/4" R7 90' F L=1800 DRIT	n	4,00	8900110	
90	27	UPPER CHASSIS FOR 581 GX	n	1,00	5811001Z	
91	27	GEARBOX HANDLE	n	1,00	5800041	
92	27	SHAFT FOR STOP TOOTH	n	1,00	7900011Z	
93	27	SPRING FOR VALVE KIT	n	1,00	5500040	Ø PE
94	27	KNOB INT.10X25	n	1,00	5800109	
95	27	HAND PUMP GLSE 16	n	1,00	5800126	OP
96	27	SHAFT FOR PINION	n	1,00	8900012Z	
97	27	GEAR 1" Z10 F.D.20	n	1,00	8900027	
98	27	CHAIN TIE 600-690	n	1,00	6000066Z	
99	27	SAFETY PROTECTION FOR 1" CHAIN	n	1,00	6000088Z	
100	27	TRESTLE CL 13 4" C2	n	1,00	8900106	
101	27	DOUBLE WATER INLET SUPPORT	n	1,00	8900019Z	
102	27	3-LEV. MD/5 A1X3 DISTRIBUTOR	n	1,00	7000302	OP

CONTINUA

Note

**Esploso I0581EGXA**  
**MACCHINA IRRIGATRICE SUPER RAIN 581 GX EXPORT**

Note VERSIONE A CATENA DAL 01/01/2005

POS. Pos. Pos. Pos.	PAG. Page Seite Pagina	DENOMINAZIONE Appellation Denomination Bezeichnung Denombrocion	U.M.	N.PEZZI N.Pieces N.Pieces N.Teile N.Plez	CODICE Code Code Code Codigo	NOTE Annotation Note Aufzeichnung Nota
103	27	2-LEV. MD/2 A1A1 DISTRIBUTOR	n	1,00	7000301	OP
104	27	PIPE 1/4" R7 L=1200	n	2,00	7000313	OP
105	27	PIPE 1/4" R1T L=10000	n	2,00	7000312	
106	27	QUICK CONNECT. 1/2"G TYPE FIAT	n	2,00	7000309	
107	27	1/4"- 1/2" CONNECTION	n	2,00	7000308	
108	27	3/8" - 1/4" CONNECTION	n	2,00	7000307	OP
109	27	3/8" - 1/4" CONNECTION	n	8,00	7000307	OP
110	27	PIPE 1/4" R7 L=2300 (90+90)	n	2,00	6000114	OP
111	27	PIPE 1/4"R7 L.4650 F90+F90/360	n	2,00	6000103	OP
112	27	HYDRAULIC JACK 600GXJX	n	1,00	6000030	OP
113	27	CONSTRICTION FOR VALVE	n	1,00	5500042	OP
114	27	PLATE FOR SUPPL. ENGINE	n	1,00	9900033Z	OP
115	27	PINION Z13 M7 SP.10	n	3,00	7000403	OP
116	27	5-LEV. MD5 A1X5 DISTRIBUTOR	n	1,00	7000304	OP
117	27	TURNTABLE U01N090	n	1,00	5900101	
118	27	TOOTHED GEAR M7 Z=175	n	1,00	7000402	OP
119	27	DRAWBAR PIN	n	2,00	7000032Z	OP
120	27	PIN COOP 05 AMA	n	2,00	COOP05AMA	OP
121	27	DRAWBAR HOOK	n	1,00	7000031	OP
122	27	581 GX LOWER CHASSIS	n	1,00	5812002Z	
123	27	T JOINT 1/4 M+M+M	n	2,00	6000111	
124	27	FIXING FOR HYDRAULIC PIPES	n	4,00	7000047Z	
125	27	TACHOMETER VDO (560-890-990)	n	1,00	TACHVDOSPRINT	V.PAG.22
126	27	1"1/4 PINION FIXING BUSH	n	1,00	9000032	
127	27	PINION 1"S Z11 F.32 600-690	n	1,00	6000065	
128	27	SPACER FOR GEARBOX PINION	n	1,00	6000076Z	
129	27	GEARBOX COMER D745A	n	1,00	5810101	V.PAG.35

CONTINUA

Note

**Esploso I0581EGXA**  
**MACCHINA IRRIGATRICE SUPER RAIN 581 GX EXPORT**

Note VERSIONE A CATENA DAL 01/01/2005

POS. Pos. Pos. Pos.	PAG. Page Seite Pagina	DENOMINAZIONE Appelation Denomination Bezeichnung Denombrocion	U.M.	N.PEZZI N.Pieces N.Pieces N.Teile N.Plez	CODICE Code Code Code Codigo	NOTE Annotation Note Aufzeichnung Nota
130	27	COMER GEARBOX BRAKE	n	1,00	5800143	
131	27	TAPPO OLIO RIDUTTORE	n	1,00		I.8.6.7.00269
132	27	BAUER D.108 FEMALE WITH SEAL	n	1,00	5801136	gr
133	27	GO/STOP LEVER	n	1,00	6000075Z	
134	27	PIPE 1/4" R7 C90+RIG.L=2600	n	1,00	7000311	
135	27	1"S PTN CHAIN CONNECTION MESH	n	1,00	7000104	
143	27	AXLE 50X50 L=550 F.F. 5 COLON	n	2,00	5800117	
144	27	SCREW M16X1,5 CL.10.9	n	10,00	5800153	
145	27	WHEEL 2/12.00-12 8PR MITAS	n	2,00	5810111	OP
145	27	WHEEL 10.0/80-12 TL PR8 5 FORI	n	2,00	5900103	
146	27	NUT M16 X 1,5 CH.27	n	10,00	5800154	
147	27	PIPE R7 1/4" L=3700 90 + 90	n	2,00	7900102	
148	27	CHAIN 1"S (FKK)	m	6,73	7000103	
149	27	TURNTABLE LOCKING PIN	n	1,00	5810003Z	
150	27	CHASSIS FOR TROLLEY LIFTING SUPPORT	n	1,00	6000044Z	OP
151	27	TROLLEY LIFTING HORNS	n	1,00	5800068Z	OP
152	27	CONNECTING PLATE	n	4,00	5800069Z	OP
153	27	CHAIN N.27 D.8X43	m	1,80	5800173	ml.0,90+0,90
154	27	BOOM LIFTING CYLINDER	n	2,00	6000055	OP
155	27	STOP CHASSIS FOR 581	n	1,00	5810022Z	OP
156	27	3/8" - 1/4" CONNECTION	n	4,00	7000307	OP
157	27	PIPE 1/4"R7 L=1320 WITH JOINT	n	4,00	6000109	OP
158	27	T JOINT 1/4 M+M+M	n	2,00	6000111	OP
159	27	3/8" - 1/4" CONNECTION	n	2,00	7000307	OP
160	27	FLANGE FOR UM SEAL 581 V.2006	n	1,00	5810038	
161	27	OR 4462 FOR FLANGE FOR UM SEAL	n	1,00	5810112	
162	27	INLET PIPE	n	1,00	5810037Z	

CONTINUA

Note

**RM SPA**  
 Via Provinciale, 41 - Loc S. Quirico Trecasali  
 43018 Sissa-Trecasali (PR)  
 Tel 0521 872221 - Fax 0521 874027  
 Cod. Fisc e Part.IVA 00153210349

Controllo Esploso 10/0000016  
 Data Creazione 22/11/2010  
 Data Ult. Modifica 31/07/2017 Ora 15:54

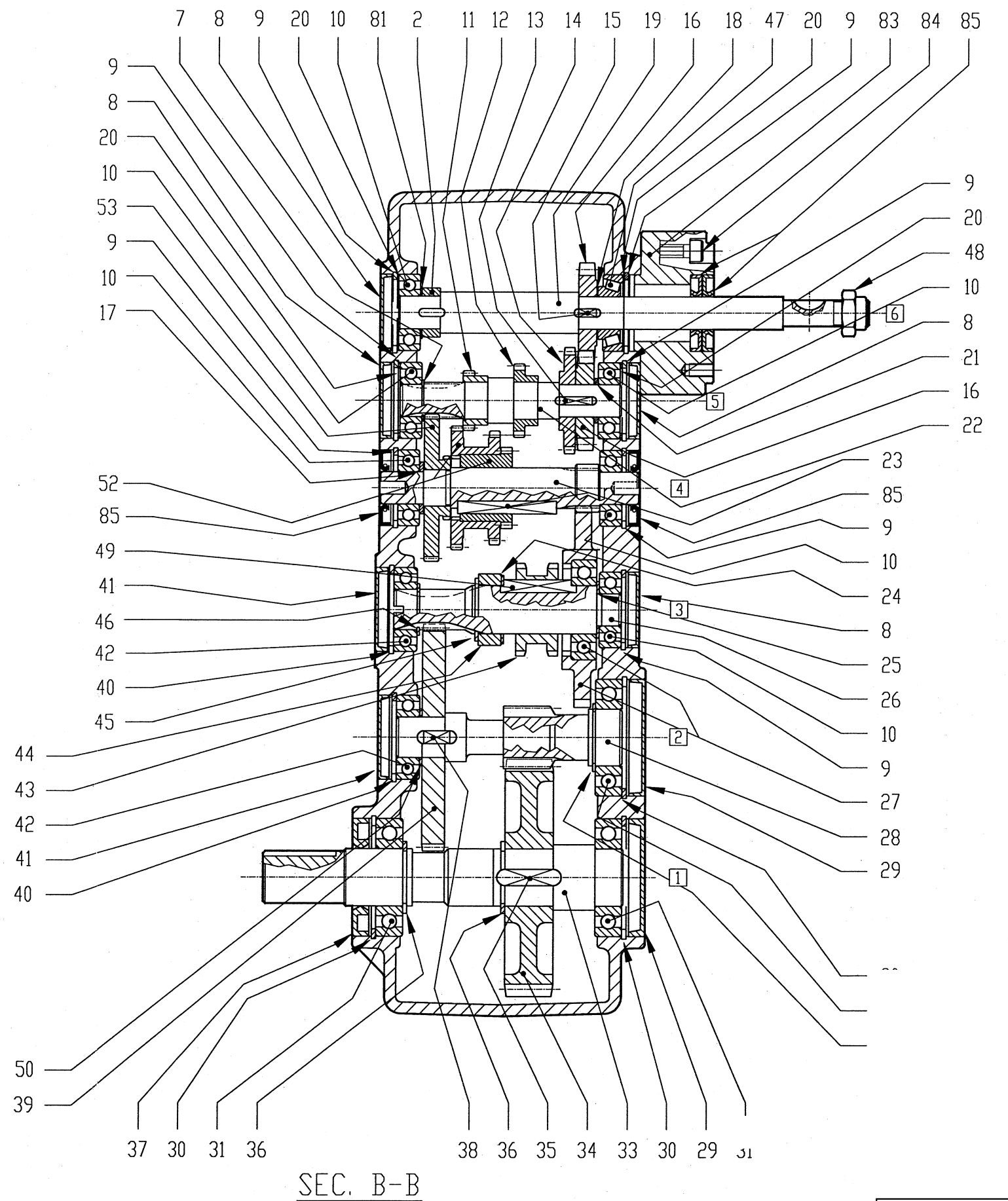
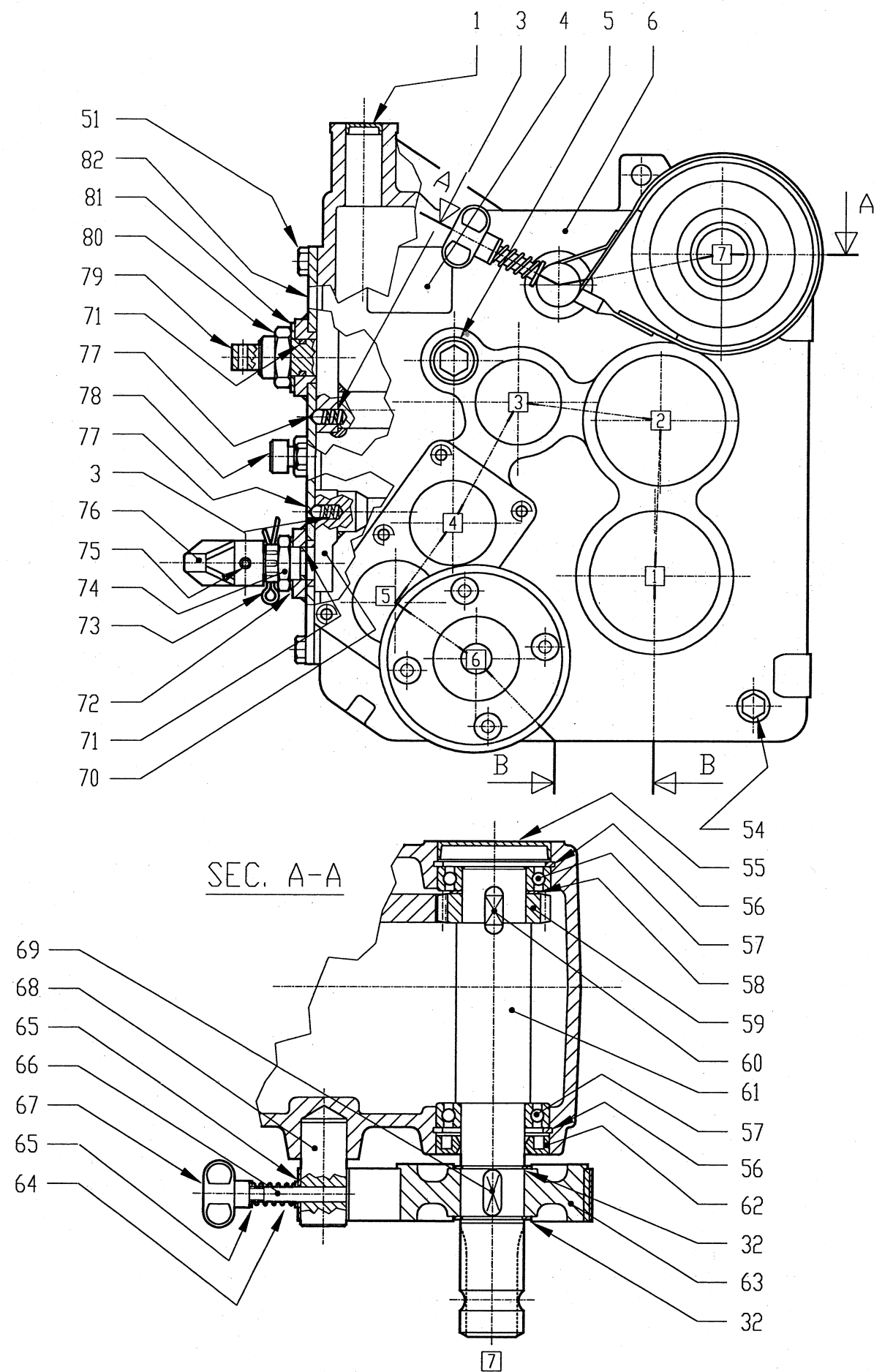
Stampa del 04/12/2017

**Esploso I0581EGXA**  
**MACCHINA IRRIGATRICE SUPER RAIN 581 GX EXPORT**

Note VERSIONE A CATENA DAL 01/01/2005

POS. Pos. Pos. Pos.	PAG. Page Seite Pagina	DENOMINAZIONE Appellation Denomination Bezeichnung Denombrocion	U.M.	N.PEZZI N.Pieces N.Teile N.Plez	CODICE Code Code Kode Codigo	NOTE Annotation Note Aufzeichnung Nota
163	27	PIN COOP 05 AMA	n	2,00	COOP05AMA	
164	27	PIPE 1/4"R7 L=1320 WITH JOINT	n	2,00	6000109	
165	27	HYDR. CYLINDER FOR LIFTING	n	2,00	5800066	
166	27	EXTENSION FOR HYDR.CYLINDER	n	2,00	5810034	
167	27	STOP TOOTH LEVER	n	1,00	7900012Z	
167	27	TURNTABLE LOCKING PIN	n	1,00	5810003Z	
168	27	RELEASE SPRING	n	1,00	5700013	
172						
172	27	POS.7-8-9-10-11-12-13-14-15-16-17-18-19-20-21-22-23-				
172	27	TURBINE T2 FLANGED WITHOUT SUPPORT	n	1,00	TUR550M	V.PAG.13/1

Note



Cod. 5810101

**RM** S.p.A.  
S. QUIRICO DI TRECASALI  
(PARMA)-ITALIA

**RIDUTTORE D745A PER 581GX-600XJ-690GX rif.745.044.00**  
**D745A REDUCER FOR 581GX-600XJ-690GX ref.745.044.00**  
**REDUCTEUR D745A POUR 581GX-600XJ-690GX réf.745.044.00**  
**UNTERSETZER D745A FÜR 581GX-600XJ-690GX bez.745.044.00**  
**GEAR D745A VOOR 581GX-600XJ-690GX ref.745.044.00**

Pag.35

Rev.00  
11/2010

**Esploso 5810101**  
**RIDUTTORE COMER D745A**  
**COD.9.745.044.00**

Note

POS. Pos. Pos. Pos.	PAG. Page Seite Pagina	DENOMINAZIONE Appellation Denomination Bezeichnung Denombrocion	U.M.	N.PEZZI N.Pieces N.Pieces N.Teile N.Plez	CODICE Code Code Code Codigo	NOTE Annotation Note Aufzeichnung Nota
1	35	PLUG FOR HOLE COMER	n	1,00	RC01202069041	
2	35	COMER SPACER	n	1,00	RC0745710300	
3	35	COMER SPRING	n	2,00	RC0721710100	
4	35	PLATE COMER	n	1,00	RC0124710100	
5	35	COMER GAUGE	n	1,00	RC86400273	
6	35	COMER BOX	n	1,00	RC0745030000	
7	35	COMER RING	n	1,00	RC85100261	
8	35	PLUG 47X7 COMER	n	4,00	RC87001362	
9	35	COMER RING	n	7,00	RC85201290	
10	35	BEARING CLB 6204 COMER	n	6,00	RC80100405	
11	35	CYLIND.PINION COMER	n	1,00	RC0735500100	
12	35	CYLIND.PINION COMER	n	1,00	RC0744501500	
13	35	TONGUE UNI6604 COMER	n	1,00	RC84101617	
14	35	CYLIND.GEAR COMER	n	1,00	RC0744600700	
15	35	TONGUE UNI6604 COMER	n	1,00	RC84101511	
16	35	COMER GEAR	n	2,00	RC0744601800	
17	35	SPACER 32.0X20 COMER	n	1,00	RC0104752500	
18	35	SPESS. REG.32X20.3X0.4	n	1,00	RC0104750400	
19	35	INLET COMER SHAFT	n	1,00	RC0744240100	
20	35	SPACER COMER	n	4,00	RC0457750000	
21	35	COMER SPACER	n	1,00	RC0744710400	
22	35	COMER PINION SHAFT	n	1,00	RC0744501100	
23	35	PINION SHAFT + TONGUE	n	1,00	RC2744502900	
24	35	SPACER COMER	n	1,00	RC0102751000	
25	35	SPACER COMER	n	1,00	RC0742751000	
26	35	PINION SHAFT Z10 M2 X 745	n	1,00	RC0745500800	
27	35	GEAR COMER	n	1,00	RC2744601000	

CONTINUA

Note

**Esploso 5810101**  
**RIDUTTORE COMER D745A**  
**COD.9.745.044.00**

POS. Pos. Pos. Pos.	PAG. Page Seite Pagina	DENOMINAZIONE Appellation Denomination Bezeichnung Denombrocion	U.M.	N.PEZZI N.Pieces N.Pieces N.Teile N.Plez	CODICE Code Code Code Codigo	NOTE Annotation Note Aufzeichnung Nota
28	35	PINION SHAFT Z10 M3	n	1,00	RC0745500000	
29	35	PLUG 72X10 COMER	n	2,00	RC87000744	
30	35	COMER RING	n	3,00	RC85200131	
31	35	BEARING CLB 6207 COMER	n	3,00	RC80100870	
32	35	COMER RING	n	3,00	RC85100005	
33	35	32 OUTLET SHAFT	n	1,00	RC0745300000	
34	35	CYLIND.GEAR Z46 M3	n	1,00	RC0745600000	
35	35	TONGUE 10X8X30 COMER	n	1,00	RC84100993	
36	35	COMER RING	n	2,00	RC85100583	
37	35	RING 35X72X10 COMER	n	1,00	RC87300055	
38	35	COMER TONGUE 8X7X16	n	1,00	RC84101041	
39	35	CYLIND.GEAR Z 67 M2	n	1,00	RC0745600200	
40	35	COMER RING	n	2,00	RC85200038	
41	35	PLUG COMER 52X7	n	1,00	RC87000693	
42	35	BEARING CLB 6205 COMER	n	2,00	RC80100034	
43	35	COMER BUSH	n	1,00	RC0744700000	
44	35	COMER SPACER	n	1,00	RC0744710600	
45	35	COMER RING	n	1,00	RC85101082	
46	35	COMER RING	n	1,00	RC85100004	
47	35	BEARING CLB 30204 COMER	n	1,00	RC80901591	
48	35	COMER BOLD	n	1,00	RC82600868	
49	35	COMER TONGUE	n	1,00	RC0744711200	
50	35	SPACER 35.3X25.6X1.0	n	1,00	RC0100751000	
51	35	SCREW ZN TE UNI5739 COMER	n	6,00	RC81101676	
52	35	COMER GEARS	n	1,00	RC2744500700	
53	35	CYLIND.GEAR COMER	n	1,00	RC0744600300	
54	35	COMER PLUG	n	1,00	RC86500006	

CONTINUA

Note

**Esploso 5810101**  
**RIDUTTORE COMER D745A**  
**COD.9.745.044.00**

Note

POS. Pos. Pos. Pos.	PAG. Page Seite Pagina	DENOMINAZIONE Appellation Denomination Bezeichnung Denombrocion	U.M.	N.PEZZI N.Pieces N.Pieces N.Teile N.Plez	CODICE Code Code Code Codigo	NOTE Annotation Note Aufzeichnung Nota
55	35	PLUG 62X7 COMER	n	1,00	RC87001359	
56	35	COMER RING	n	2,00	RC85200007	
57	35	BEARING CLB 6007 COMER	n	2,00	RC80100000	
58	35	SPACER 48.0X35.3X1.3	n	1,00	RC0259751300	
59	35	CYLIND.GEAR Z28 M2	n	1,00	RC0745600100	
60	35	TONGUE B 10X8X16 COMER	n	1,00	RC84101658	
61	35	PTO SHAFT 1" 3/8 Z6	n	1,00	RC0745300100	
62	35	COMER RING	n	1,00	RC87300003	
63	35	COMER BRAKE DISK	n	1,00	RC0744700400	
64	35	SPRING FOR COMER BRAKE	n	1,00	RC0735710300	
65	35	PART FOR SCREWS UNI6592 COMER	n	2,00	RC83200439	
66	35	COMPLETE BRAKE BAND	n	1,00	RC2744700600	i5800143
67	35	COMER HANDLE	n	1,00	RC89101713	
68	35	COMER PIVOT	n	1,00	RC0744700500	
69	35	TONGUE UNI6604 COMER	n	1,00	RC84100232	
70	35	LEVER FOR COMER	n	1,00	RC2744700200	
71	35	SEAL O-RING COMER	n	2,00	RC87600191	
72	35	COMER SPRING	n	1,00	RC85501316	
73	35	UNI1336 COMER PIN	n	1,00	RC84700760	
74	35	D.E.INT. UNI5594 COMER	n	1,00	RC82200997	
75	35	COMER PIN	n	1,00	RC84500934	
76	35	COMER HANDLE	n	1,00	RC1721700200	
77	35	COMER BALL	n	2,00	RC85900166	
78	35	COMER PLUG	n	1,00	RC86700269	
79	35	LEVER COMER	n	1,00	RC2744701800	
80	35	COMER NUT	n	1,00	RC0744710500	
81	35	SPACER COMER	n	2,00	RC0104751000	

CONTINUA

Note

**RM SPA**  
Via Provinciale per Cremona 41 - Fraz. San Quirico  
43010 Trecasali (PR)  
Tel 0521 872221 - Fax 0521 874027  
Cod. Fisc e Part.IVA 00153210349

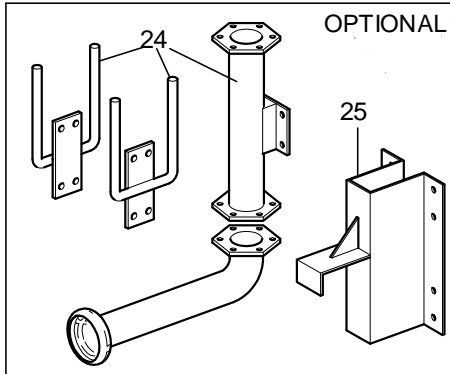
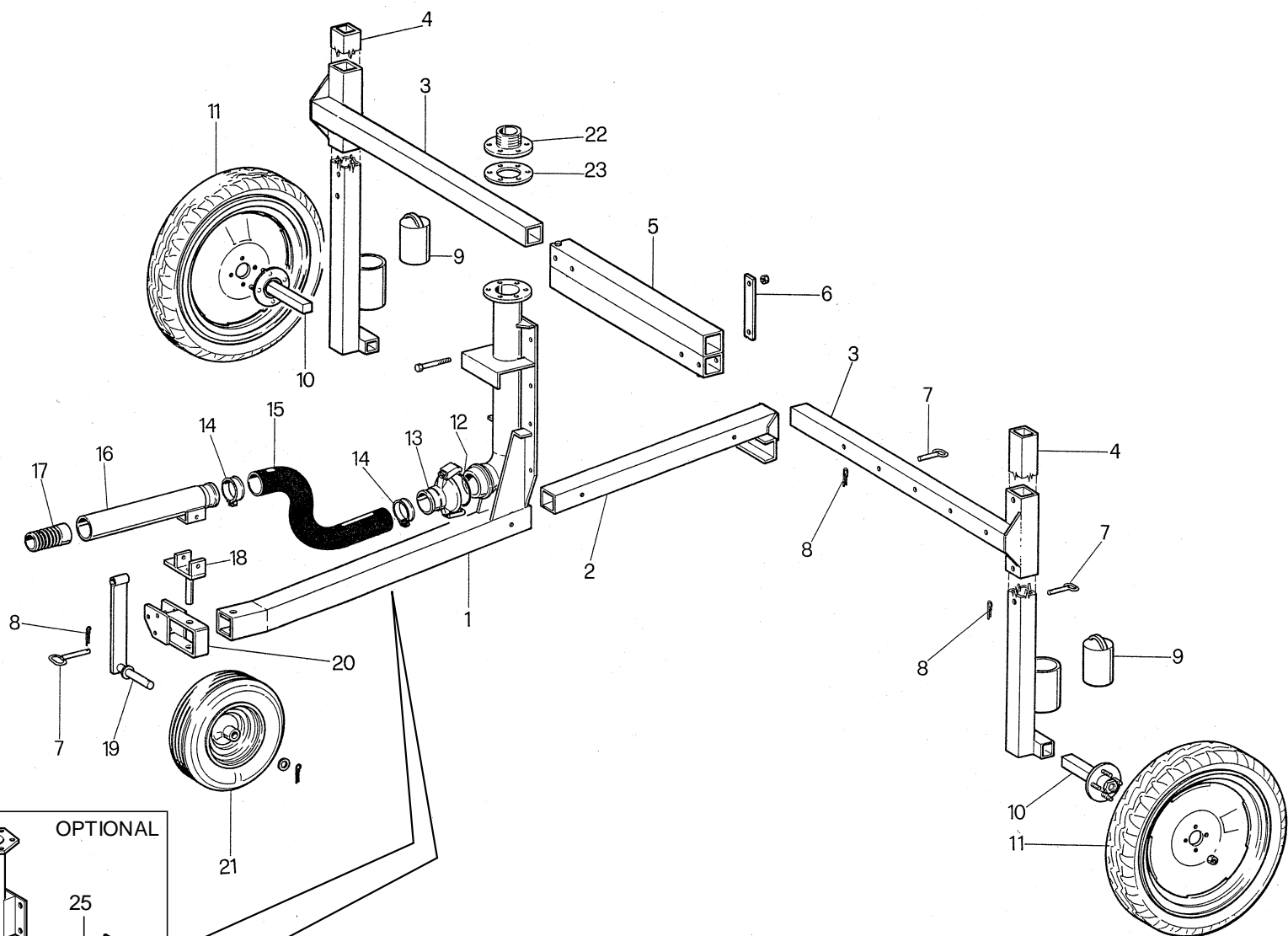
Controllo Esploso 11/0000007  
Data Creazione 28/01/2011  
Data Ult. Modifica 30/09/2011 Ora 12:27

Stampa del 28/12/2011

**Esploso 5810101**  
**RIDUTTORE COMER D745A**  
Note **COD.9.745.044.00**

POS. Pos. Pos. Pos.	PAG. Page Page Seite Pagina	DENOMINAZIONE Appellation Denomination Bezeichnung Denombrocion	U.M.	N.PEZZI N.Pieces N.Pieces N.Teile N.Plez	CODICE Code Code Kode Codigo	NOTE Annotation Note Aufzeichnung Nota	
82	35	COMER COVER	n	1,00	RC2744132100		
83	35	COMER FLANGE	n	1,00	RC0744700800		
84	35	SCREW TCEI UNI5931 M8X40 8.8	n	4,00	RC81201723		
85	35	COMER BA RING	n	4,00	RC87301395		

Note



Cod.Carr.580.3

**RM** S.p.A.  
 S. QUIRICO DI TRECASALI  
 (PARMA)-ITALIA

CARRELLO PORTA IRRIGATORE VERSIONE 98 MOD. 580GX-581GX-690GX-790GX  
 SPRINKLER-HOLDING CARRIER VERSION 98 MODEL 580GX-581GX-690GX-790GX  
 CHARIOT PORT-IRRIGATEUR VERSION 98 MODÈLE 580GX-581GX-690GX-790GX  
 WAGEN FÜR BEWÄSSERUNGSAPPARAT VERSION 98 MOD. 580GX-581GX-690GX-790GX  
 RIJDEND ONDERSTEL VOOR SPROEIER MODEL 98 TYPE 580GX-581GX-690GX-790GX

Pag.28  
 Rev.01  
 11/2010

**Esploso CARR5803**  
**CARRELLO 581-690-790 GX**

Note

POS. Pos. Pos. Pos.	PAG. Page Seite Pagina	DENOMINAZIONE Appellation Denomination Bezeichnung Denombrocion	U.M.	N.PEZZI N.Pieces N.Pieces N.Teile N.Plez	CODICE Code Code Code Codigo	NOTE Annotation Note Aufzeichnung Nota
1	28	CENTRAL BODY FOR TROLLEY 581 GX	n	1,00	58020189Z	
2	28	DRAWBAR FOR TROLLEY 581 GX	n	1,00	580201810Z	
3	28	SUPPORTS FOR LEGS ON TROLLEYB 581 GX	n	2,00	58020185Z	
4	28	TROLLEY 581 GX LEG	n	2,00	58020186Z	
5	28	FRAME FOR LEGS SUPPORT TROLLEY 581 GX	n	1,00	58020184Z	
6	28	FIXING PLATES FOR SUPPORTING FRAME TROLLEY 581 GX	n	2,00	58020181Z	
7	28	PIN FOR TROLLEY ADJUSTING D.14	n	5,00	5800042Z	
8	28	PIN COOP 03 AMA	n	5,00	COOP03AMA	
9	28	COUNTERBALANCE WEIGHT	kg	43,00	BILLETTE	ml.0,30 x 2
10	28	WHEEL AXLE BALILLA 35Z35X200	n	2,00	5800103	
11	28	WHEEL 125 D70 15	n	2,00	5800104	PN
12	28	GUARNIZIONE Ø 80 FERRARI	n	1,00		C.13
13	28	D.80 FEMALE JOINT WITH HOSE TAIL	n	1,00	580201811Z	C.12
14	28	CLAMP GOLD 86-95	n	2,00	5800137	
15	28	HOSE ROMAGNA 15 80X93	m	1,10	5500102	
16	28	TAIL FOR 581 TROLLEY	n	1,00	58020188Z	
17	28	PE HOSE ENTRANCE	n	1,00	5500033	GR - Ø PE
18	28	SHAFT FOR WHEELS ROTATION ON TROLLEY 581 GX	n	1,00	58020187Z	
19	28	SUPPORT FOR FRONT WHEEL ON TROLLEY 581 GX	n	1,00	58020183Z	
20	28	SUPPORT FOR WHEEL GROUP TROLLEY 581 GX	n	1,00	58020182Z	
21	28	TROLL.WHEEL16.650X8"RIGATA 4PR	n	1,00	5800149	
22	28	COUPLING FOR SYNKRO GUN 2"1/2	n	1,00	5700039Z	Ø PE 82
22	28	COUPLING FOR RANGER GUN 3"	n	1,00	5800044Z	Ø PE 90-100-110
23	28	RUBBER UNIVERSAL SEAL	n	1,00	5800072	I.58000461
24	28	KIT ASYMMETRIC TROLLEY	n	1,00	0140004Z	OP
25	28	LIFTING DEVICE FOR TROLLEY	n	1,00	5800064Z	OP
26	28	CARPENTRY FOR TROLLEY 581 GX	n	1,00	5802018	

CONTINUA

Note

**RM SPA**  
Via Provinciale per Cremona 41 - Fraz. San Quirico  
43010 Trecasali (PR)  
Tel 0521 872221 - Fax 0521 874027  
Cod. Fisc e Part.IVA 00153210349

Controllo Esploso **10/0000029**  
Data Creazione **30/11/2010**  
Data Ult. Modifica **30/11/2010 Ora 09:29**

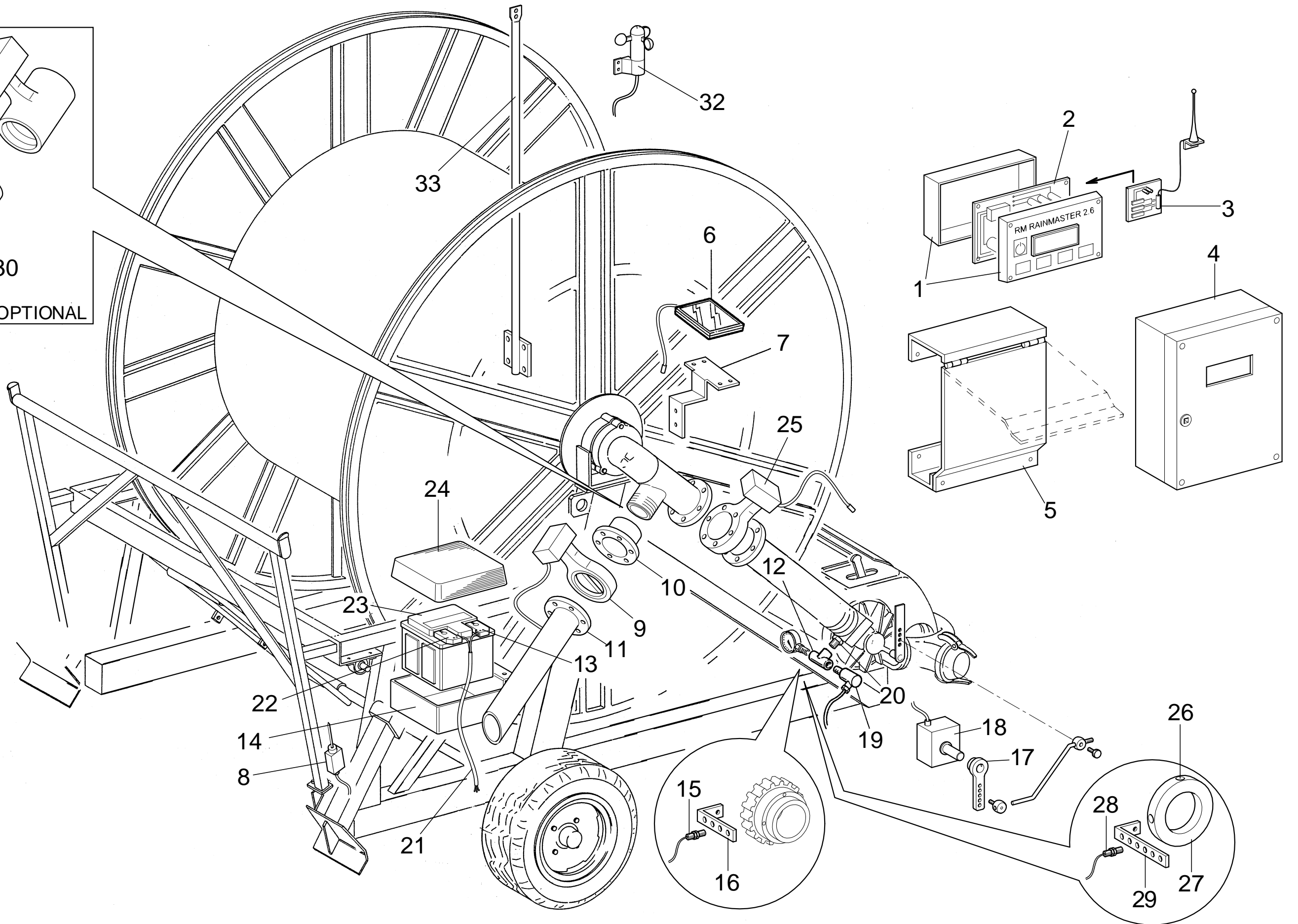
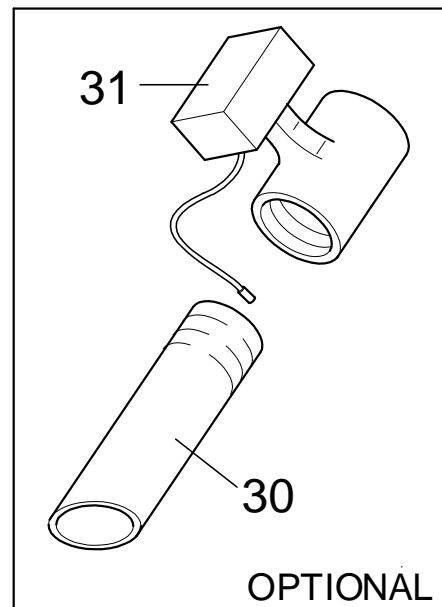
Stampa del 25/11/2011

**Esploso CARR5803**  
**CARRELLO 581-690-790 GX**

Note

POS. Pos. Pos. Pos.	PAG. Page Page Seite Pagina	DENOMINAZIONE Appellation Denomination Bezeichnung Denombrocion	U.M.	N.PEZZI N.Pieces N.Pieces N.Teile N.Plez	CODICE Code Code Kode Codigo	NOTE Annotation Note Aufzeichnung Nota	
26	28	POS. 1-2-3-4-5-6-13-16-18-19-20					
27	28	581-690-790 GX TROLLEY	n	1,00	CARR5803		
27	28	POS.1-2-3-4-5-6-7-8-9-10-11-12-13-14-15-18-19-20-21					

Note



**RM** S.p.A.  
S. QUIRICO DI TRECASALI  
(PARMA)-ITALIA

**PROGRAMMATORE RM RAINMASTER 2.6/RAINSTAR 160**  
**PROGRAMMER RM RAINMASTER 2.6/RAINSTAR 160**  
**PROGRAMMEUR RM RAINMASTER 2.6/RAINSTAR 160**  
**PROGRAMMIEREINHEIT RM RAINMASTER 2.6/RAINSTAR 160**  
**PROGRAMMEUR RM RAINMASTER 2.6/RAINSTAR 160**

Pag.110

Rev.01  
11/2010

**Esploso**

**PROGRAMMATORE RAINMASTER 2.6 - RAINSTAR 160**

Note

POS. Pos. Pos. Pos.	PAG. Page Seite Pagina	DENOMINAZIONE Appellation Denomination Bezeichnung Denombrocion	U.M.	N.PEZZI N.Pieces N.Pieces N.Teile N.Plez	CODICE Code Code Kode Codigo	NOTE Annotation Note Aufzeichnung Nota
1	110	RAINSTAR STAINL.STEEL COVER	n	1,00	0200127	C.2
2	110	RAINSTAR 260 CONTROL PANEL	n	1,00	0200128	C.1
2	110	RAINSTAR 160 CONTROL PANEL	n	1,00	0200123	C.1
3	110	GSM ELECTR. BOARD WITH ANTENNA	n	1,00	0200130	OP
4	110	COVER WITH KEY FOR PROGRAMMER	n	1,00	7000074	OP
5	110	RAINSTAR STAINL.STEEL COVER	n	1,00	0200127	
6	110	SOLAR PANEL 20902076	n	1,00	5800332	OP
7	110	SOLAR PANEL SUPPORT	n	1,00	7000082Z	OP
8	110	FINECORS A STELO + BOCCHETTONE	n	1,00	5810109+5810110	
9	110	MOTORISED VALVE 3" DN80	n	1,00	0200135	
9	110	MOTOR VALVE 20 SEC. STARTEC	n	1,00	0200129	
10	110	FLANGIA DN 100 CON MANICOTTO FILETTATO	n	1,00	FLANGEDN100C+MANFIL89	OP
10	110	FLANGIA DN80 CON MANFIL 3"	n	1,00		C.11-OP
11	110	FLANGE DN 100 PN16 HOLE D.108	n	1,00	FLANGEDN100C	
11	110	FLANGED DISCHARGE PIPE FOR VALVE	n	1,00	0200043Z	C.10 - OP
12	110	T 1/8" F+F+F JOINT	n	1,00	5800327	
13	110	"+" BATTERY HOLDFAST	n	1,00	5800324	
14	110	BATTERY CONTAINER	n	1,00	7000081	
15	110	SPECIAL SENSOR 8 MM.	n	1,00	0200124	C.16 SOLO/ONLY POST-MONTAGGIO
16	110	SUPPORTO SENSORE	n	1,00		C.15 SOLO/ONLY POST-MONTAGGIO
17	110	GALVANISED BY-PASS LEVER	n	1,00	0200003Z	
18	110	MOTOGERABOX 12 VPC STARTEC	n	1,00	0200125	
19	110	PRESSURE SWITCH 1/4" STARTEC	n	1,00	0200126	
20	110	JOINT 1/8"-1/8"	n	1,00	5800328	
21	110	FEEDING CABLE	n	1,00	5800321	
22	110	"-" BATTERY HOLDFAST	n	1,00	5800325	
23	110	BATTERY 12V 45 AH	n	1,00	5800326	

CONTINUA

Note

**Esploso**

**PROGRAMMATORE RAINMASTER 2.6 - RAINSTAR 160**

Note

POS. Pos. Pos. Pos.	PAG. Page Page Seite Pagina	DENOMINAZIONE Appellation Denomination Bezeichnung Denombrocion	U.M.	N.PEZZI N.Pieces N.Pieces N.Teile N.Plez	CODICE Code Code Kode Codigo	NOTE Annotation Note Aufzeichnung Nota
24	110	BATTERY COVER	n	1,00	8900049	
25	110	MOTOR VALVE 20 SEC. STARTEC	n	1,00	0200129	OP
26	110	MAGNET DIAM. 4 X 3	n	4,00	5800505	
27	110	DISK FOR GEAR Ø90X10MM	n	1,00	0200103	
28	110	RUN END SENSOR WITH MAGNET	n	1,00	5800329	C.29
29	110	SUPPORTO SENSORE	n	1,00		C.28
30	110	2" DISCHARGE PIPE	n	1,00	0200044Z	2"- OP
31	110	MOTORISED BALL VALVE 20 SEC.	n	1,00	0200132	OP
32	110	SUPPORTO ANEMOMETRO	n	1,00		OP
33	110	ANEMOMETER WITH CABLE	n	1,00	0200137	op

Note