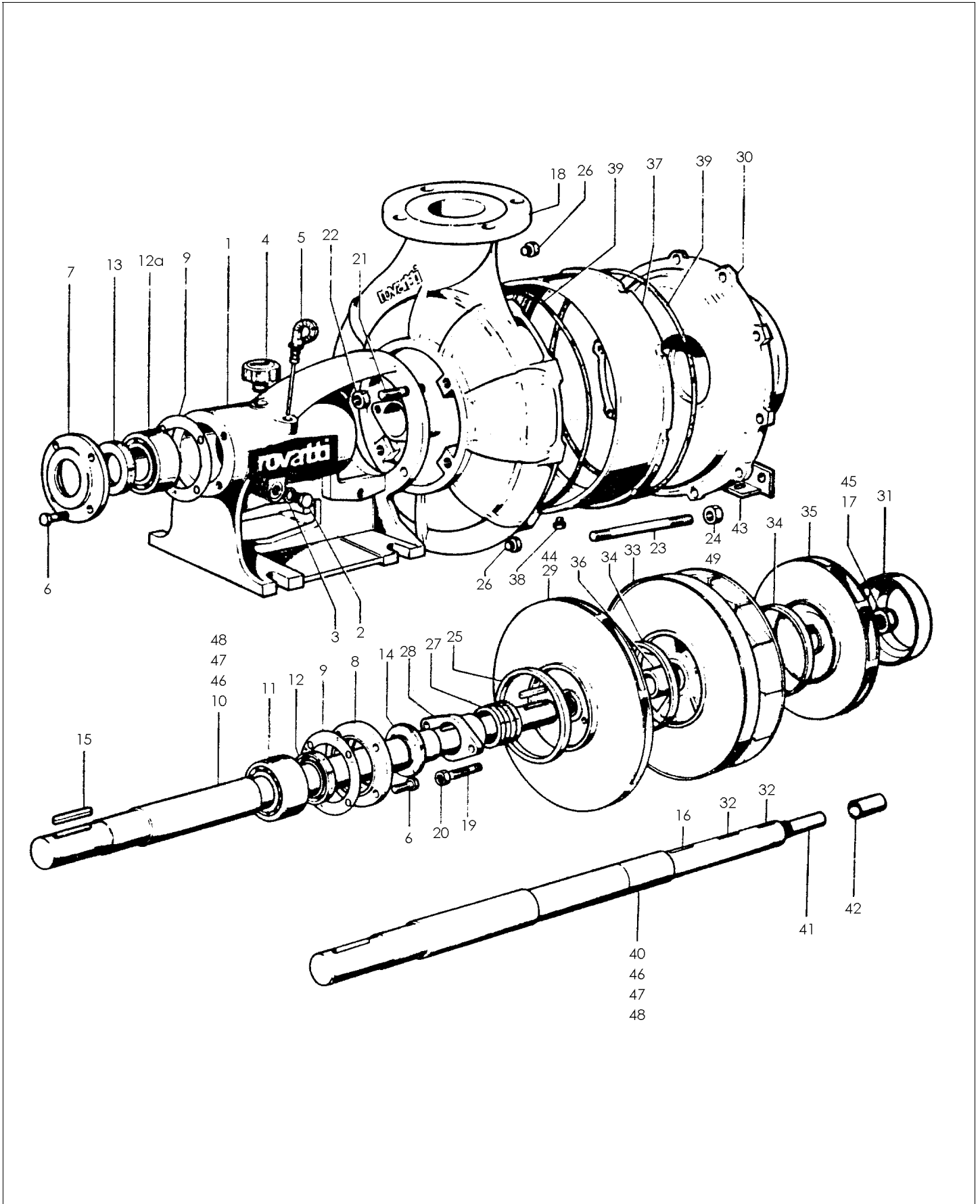


# Rovatti S3K100 Series Pump

Itemized Part Listing

01/2003



POS	Item Description	S3K100/2		S3K100/3		S3K100/4		S3K100/5	
		Part #	Q	Part #	Q	Part #	Q	Part #	Q
1	Support / Bearing	3346	1	3346	1	3346	1	3346	1
2	Plug / Magnetic	4470	1	4470	1	4470	1	4470	1
3	Plug / Magnetic	4470	1	4470	1	4470	1	4470	1
4	Plug / Breather	3370	1	3370	1	3370	1	3370	1
5	Dipstick / Oil Level	3405	1	3405	1	3405	1	3405	1
6	Bolt	VTE2	8	VTE2	8	VTE2	8	VTE2	8
7	Cover	3903	1	3903	1	3903	1	3903	1
8	Cover	3903	1	3903	1	3903	1	3903	1
9	Gasket *	3355	2	3355	2	3355	2	3355	2
10	Shaft	9479	1	9483	1	9482	1	9484	1
11	Bearing *	CU21	1	CU21	1	CU21	1	CU21	1
12	Seal / Oil *	AT7	1	AT7	1	AT7	1	AT7	1
12a	Bearing *	CU17a	1	CU17a	1	CU17a	1	CU17a	1
13	Seal / Oil *	AT8a	1	AT8a	1	AT8a	1	AT8a	1
14	Ring / Water Sealing *	AP4	1	AP4	1	AP4	1	AP4	1
15	Key	LI15	1	LI15	1	LI15	1	LI15	1
16	Key	LI26	1	LI26	1	LI26	1	LI26	1
17	Nut / Impeller	DA24b	1	DA24b	1	DA24b	1	DA24b	1
18	Body / Pump	3648	1	3648	1	3648	1	3648	1
19	Bolt / Stud	VP5	2	VP5	2	VP5	2	VP5	2
20	Nut	DEA10	2	DEA10	2	DEA10	2	DEA10	2
21	Bolt / Stud	VP21	4	VP21	4	VP21	4	VP21	4
22	Nut	DEA14	4	DEA14	4	DEA14	4	DEA14	4
23	Bolt / Stud	VP21a	10	VP21b	10	VP59	10	VP68	10
24	Nut	DEA14	10	DEA14	8	DEA14	8	DEA14	8
25	Ring / Wear *	3686	1	3686	1	3686	1	3686	1
26	Plug	NO19	2	NO19	2	NO19	2	NO19	2
27	Ring / Packing *	5641	7	5641	7	5641	7	5641	7
28	Flange / Packing	1034	1	1034	1	1034	1	1034	1
29	Impeller / pump Body	3689	1	3689	1	3689	1	3689	1
30	Cover / Suction	3652	1	****	**	****	**	****	**
30	Cover / Suction w/support	****	**	3652	1	3652	1	3652	1
31	Ring / Wear *	3686	1	3686	1	3686	1	3686	1
32	Key	LI12	1	LI12	2	LI12	3	LI12	4
33	Diffuser	3646	1	3646	2	3646	3	3646	4
34	Ring / Wear *	3686	2	3686	4	3686	6	3686	8
35	Impeller / Diffuser	3690	1	3690	2	3690	3	3690	4
36	Spacer	3694	1	3694	2	3694	3	3694	4
37	Shell / Diffuser	3685	1	3685	2	3685	3	3685	4
38	Plug	NO19	1	NO19	2	NO19	3	NO19	4
39	O-Ring *	OR35	2	OR35	3	OR35	4	OR35	5
40	Bushing *	9009	1	9009	1	9009	1	9009	1
41	Bushing *	****	**	9486	1	9486	1	9486	1
42	Bushing *	****	**	6979	1	6979	1	6979	1
43	Foot / Support	****	**	3762	1	3762	1	3762	1
44	Washer	9485	1	9485	1	9485	1	9485	1
45	Washer	6714	1	6714	1	6714	1	6714	1
46	Bolt	****	**	****	**	****	**	****	**
47	Washer	****	**	****	**	****	**	****	**
48	Washer	****	**	****	**	****	**	****	**
49	Nut	****	**	DEM14	2	DEM14	2	DEM14	2

*Place "RI" prefix before all part numbers before placing orders.*

It is useful to keep a stock of fast wearing parts on hand for quick repairs. Most recommended spare parts are marked by an asterisk (\*) following part description.

**1-800-Team ABI**

Email [abigausa@att.net](mailto:abigausa@att.net)  
[www.abi-irrigation.com](http://www.abi-irrigation.com)

s3k100.pdf ABI 2003



**AgriBusiness International, Inc**  
P.O. Box 909  
Villa Rica, Georgia 30180 USA  
Ph. 770-459-4401 Fx. 770-459-6877