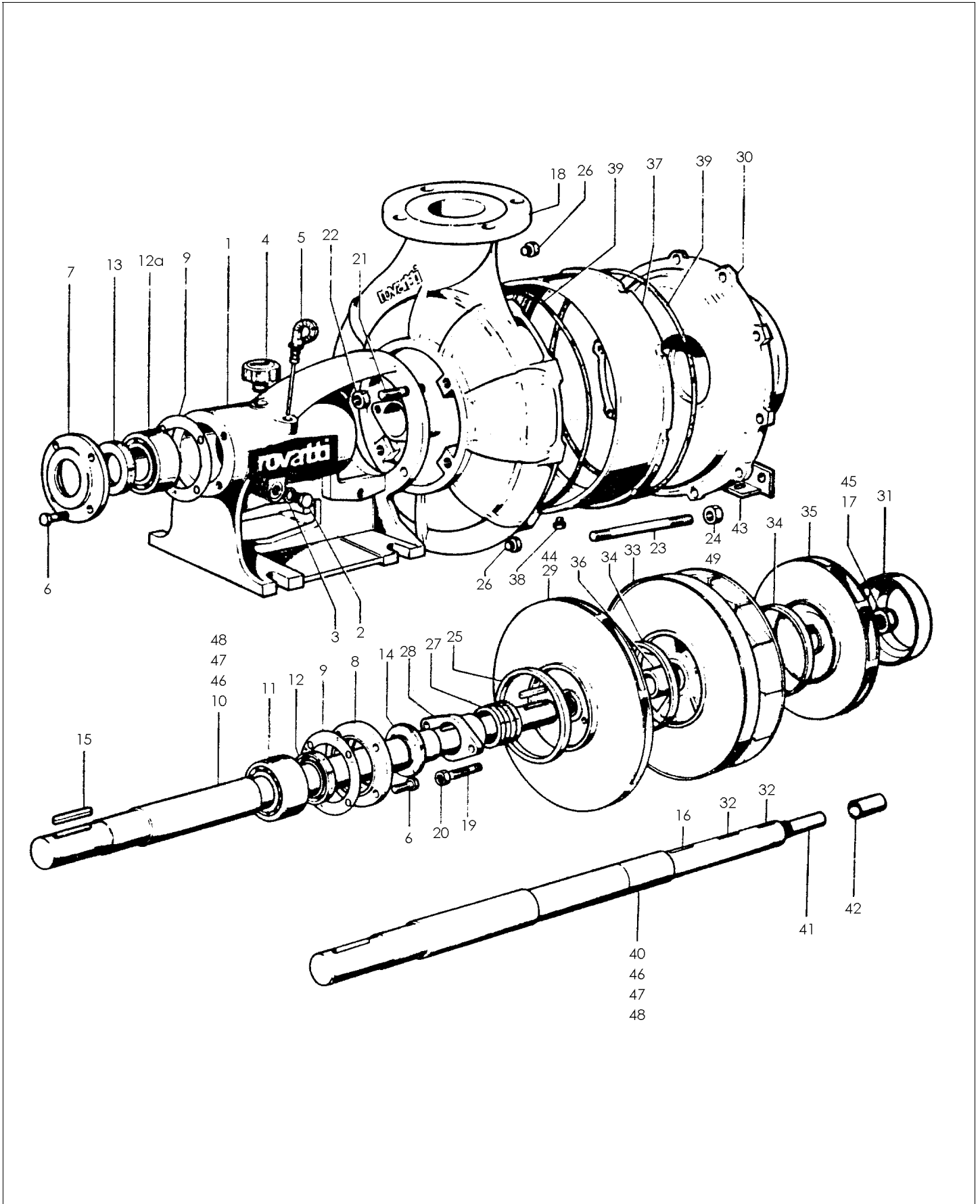


# Rovatti S4K125 Series Pump

Itemized Part Listing

01/2003



POS	Item Description	S4K125/2		S4K125/3	
		Part #	Q	Part #	Q
1	Support / Bearing	4000	1	4000	1
2	Plug / Magnetic	4470	1	4470	1
3	Plug / Magnetic	4470	1	4470	1
4	Plug / Breather	3370	1	3370	1
5	Dipstick / Oil Level	3740	1	3740	1
6	Bolt	VTE4	8	VTE4	8
7	Cover	4002	1	4002	1
8	Cover	4001	1	4001	1
9	Gasket *	4008	2	4008	2
10	Shaft	9574	1	9573	1
11	Bearing *	CU22	1	CU22	1
12	Seal / Oil *	AT10	1	AT10	1
12a	Bearing *	CU17d	1	CU17d	1
13	Seal / Oil *	AT3	1	AT3	1
14	Ring / Water Sealing *	AP6	1	AP6	1
15	Key	LI24	1	LI24	1
16	Key	LI48	1	LI48	1
17	Nut / Impeller	DA30b	1	DA30b	1
18	Body / Pump	3923	1	3923	1
19	Bolt / Stud	VP7	2	VP7	2
20	Nut	DEA10	2	DEA10	2
21	Bolt / Stud	VP24	4	VP24	4
22	Nut	DEA20	4	DEA20	4
23	Bolt / Stud	VP26	12	VP27	12
24	Nut	DEA16	12	DEA16	10
25	Ring / Wear *	3995	1	3995	1
26	Plug	NO19	2	NO19	2
27	Ring / Packing *	5643	6	5643	6
28	Flange / Packing	4003	1	4003	1
29	Impeller / pump Body	3906	1	3906	1
30	Cover / Suction	3999	1	****	**
30	Cover / Suction w/support	****	**	3999/1	1
31	Ring / Wear *	3995	1	3995	1
32	Key	LI17	1	LI17	2
33	Diffuser	3685	1	3685	2
34	Ring / Wear *	3995	2	3995	4
35	Impeller / Diffuser	3902	1	3902	2
36	Spacer	4004	1	4004	2
37	Shell / Diffuser	3998	1	3998	2
38	Plug	NO19	1	NO19	2
39	O-Ring *	3888	1	3888	1
39	O-Ring *	4005	1	4005	2
40	Bushing *	9418	1	9418	1
41	Bushing *	****	**	9576	1
42	Bushing *	****	**	2306	1
43	Foot / Support	****	**	4012	1
44	Washer	9578	1	9578	1
45	Washer	6718	1	6718	1
46	Bolt	****	**	****	**
47	Washer	****	**	****	**
48	Washer	****	**	****	**
49	Nut	****	**	DEM16	2

Place "RI" prefix before all part numbers before placing orders.

It is useful to keep a stock of fast wearing parts on hand for quick repairs. Most recommended spare parts are marked by an asterisk (\*) following part description.

**1-800-Team ABI**

Email [abigausa@att.net](mailto:abigausa@att.net)  
[www.abi-irrigation.com](http://www.abi-irrigation.com)

s4k125.pdf ABI 2003



**AgriBusiness International, Inc**  
P.O. Box 909  
Villa Rica, Georgia 30180 USA  
Ph. 770-459-4401 Fx. 770-459-6877